



# Jam nut receptacle

## Series GS

Item number: GS72-32-5SN-EAA

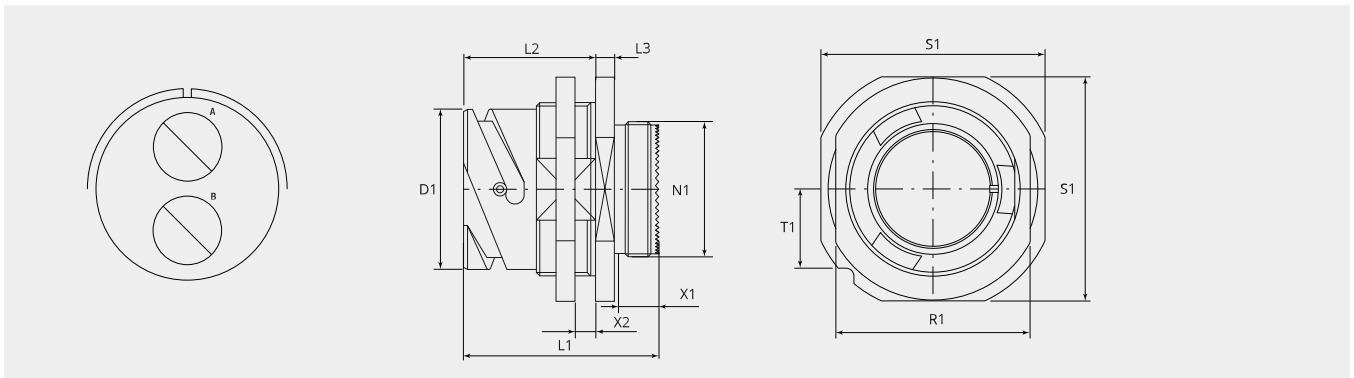
Packing unit: 1

### Mechanical properties

|                                 |                |
|---------------------------------|----------------|
| Size:                           | 32             |
| Contact type:                   | Socket         |
| Coding options:                 | 4              |
| Number of contacts, size 0:     | 2              |
| Shell material:                 | Aluminum alloy |
| Surface treatment:              | Zinc           |
| Type of surface:                | passivated     |
| Thickness of surface treatment: | 12-15 $\mu$    |
| Surface colour:                 | black          |
| Corrosion resistance (h):       | 200            |
| Operation temperature:          | -55°C - +90°C  |
| Temperature shock:              | -55°C - +125°C |
| Conductivity (M $\Omega$ ):     | $\leq$ 0.5     |
| EMI:                            | Yes            |
| Coupling-torque to lock (Nm):   | max. 8.0       |
| Coupling-torque to open (Nm):   | min. 3.6       |

### Thermal properties

|                                       |                       |
|---------------------------------------|-----------------------|
| Material contact insert:              | Ethylene acrylate GXF |
| Operating temperature:                | -55°C - +150°C        |
| Fire protection class DIN EN 45545-2: | R23/HL3               |



## Dimensional drawing

|                 |                 |
|-----------------|-----------------|
| <b>D1 (Ø):</b>  | 53.5            |
| <b>L1 (mm):</b> | 52.0            |
| <b>L2 (mm):</b> | 35.2            |
| <b>L3 (mm):</b> | 5.6             |
| <b>N1:</b>      | 1 7/8"-16 UN 2A |
| <b>T1 (mm):</b> | 24.7            |
| <b>X1 (mm):</b> | 10.5            |
| <b>X2 (mm):</b> | 2.4 - 6.5       |
| <b>S1 (mm):</b> | 69.8            |
| <b>R1 (mm):</b> | 62.0            |

## Electrical properties

|   |              |
|---|--------------|
| <b>Operating voltage DC (V):</b>          | 1250         |
| <b>Operating voltage AC (V):</b>          | 900          |
| <b>Test voltage AC (V):</b>               | 2800         |
| <b>Insulation resistance (Ω m):</b>       | ≥ 5000       |
| <b>Insulation creepage distance (mm):</b> | ≥ 4.8        |
| <b>Voltage class:</b>                     | MIL-DTL-5015 |

## Electrical properties contacts

|                                       |     |
|---------------------------------------|-----|
| <b>Size 0 - nominal current (A):</b>  | 150 |
| <b>Size 0 - maximal current (A):</b>  | 245 |
| <b>Size 0 - test current (A):</b>     | 200 |
| <b>Size 0* - nominal current (A):</b> | 200 |
| <b>Size 0* - maximal current (A):</b> | 300 |
| <b>Size 0* - test current (A):</b>    | 240 |

**Please contact your Gimota partner for other shell materials, surface coatings or contact insert materials.**

Voltage classes tested acc. MIL-DTL-5015

Power transmission verification acc. VG95234 / 2 test 5.10.1 and VG95210 / 37

Corrosion resistance tested acc. MIL 1344A Test 101.1

Temperature shock tested acc. MIL 202F, 107G Method

Electrical conductivity acc. MIL 1344A, Test 3007