



Jam nut receptacle

Series GS

Item number: GS72-36-10SN-EAA

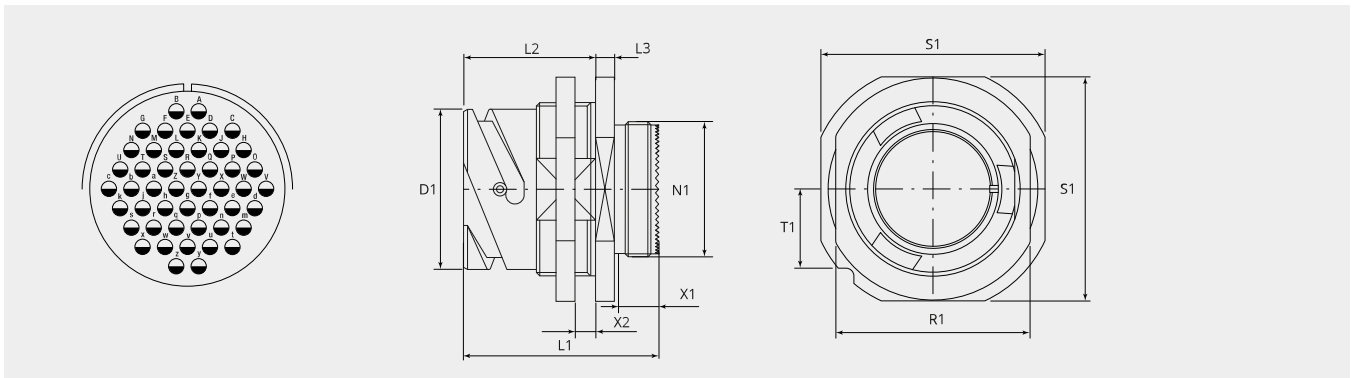
Packing unit: 1

Mechanical properties

Size:	36
Contact type:	Socket
Coding options:	4
Number of contacts, size 16:	48
Shell material:	Aluminum alloy
Surface treatment:	Zinc
Type of surface:	passivated
Thickness of surface treatment:	12-15 μ
Surface colour:	black
Corrosion resistance (h):	200
Operation temperature:	-55°C - +90°C
Temperature shock:	-55°C - +125°C
Conductivity (M Ω):	\leq 0.5
EMI:	Yes
Coupling-torque to lock (Nm):	max. 9.0
Coupling-torque to open (Nm):	min. 4.5

Thermal properties

Material contact insert:	Ethylene acrylate GXF
Operating temperature:	-55°C - +150°C
Fire protection class DIN EN 45545-2:	R23/HL3



Dimensional drawing

D1 (Ø):	59.6
L1 (mm):	52.0
L2 (mm):	35.2
L3 (mm):	5.6
N1:	2 1/16"-16 UN 2A
T1 (mm):	26.9
X1 (mm):	11.3
X2 (mm):	2.4 - 8.3
S1 (mm):	76.2
R1 (mm):	71.0

Electrical properties

Operating voltage DC (V):	700
Operating voltage AC (V):	500
Test voltage AC (V):	2000
Insulation resistance (Ω m):	≥ 5000
Insulation creepage distance (mm):	≥ 3.2
Voltage class:	MIL-DTL-5015

Electrical properties contacts

Size 16 - nominal current [continuous] (A):	13
Size 16 - maximal current [short-term] (A):	22
Size 16 - test current (A):	20

Please contact your Gimota partner for other shell materials, surface coatings or contact insert materials.

Voltage classes tested acc. MIL-DTL-5015

Power transmission verification acc. VG95234 / 2 test 5.10.1 and VG95210 / 37

Corrosion resistance tested acc. MIL 1344A Test 101.1

Temperature shock tested acc. MIL 202F, 107G Method

Electrical conductivity acc. MIL 1344A, Test 3007

Complementary products:

Counterpart:



GS60-36-10PN-EAA

Plug with bayonet coupling nut



GS601-36-10PN-EAA

Plug with bayonet coupling nut, for EMI applications



GS602-36-10PN-EAA

Plug with rubber coated coupling nut



GS604-36-10PN-EAA

Plug with rubber coated coupling nut, for EMI applications

Backshell:



BEN36-AA
90° elbow backshell



BEN36-M6B-AA
90° elbow backshell with internal metric thread



BSE36-40-AA
Enlarger back shell



BSH36-AA
Backshell with groove for heatshrinkable shapes



BSL36-AA
Backshell straight, long



BSN36-AA
Backshell straight, standard



BSN36-M7B-AA
Backshell straight with internal metric thread



BSR36-18-AA
Reducer backshell



BST36-AA
Termination back shell typ R for grommet

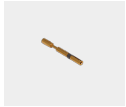
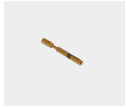
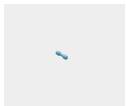


ET-36-12-AA
EMI adapter with cone ring, for heatshrinkable shape

Cable termination:



10-350349K-3640
Synthetic cable clamp

Contacts:**10-40556-05AU**Socket contact size 16, 0.25 - 0.5mm²**10-40556-075AU**Socket contact size 16, 0.75mm²**10-40556-20-1AU**Socket contact size 16, 1.5mm²**10-40556AU**Socket contact size 16, 1.0mm²**Filler plugs:****10-101033-121**

Filler plug, size 16/16S

Protection cap:**PR36-AA**

Metallic protection cap for bayonet receptacles (GB, GR & GS)

**PR36-D**

Plastic protection cap to bayonet receptacles (GB, GR & GS)