



Jam nut receptacle

Series GS

Item number: GS72-40-A62SN-EAA

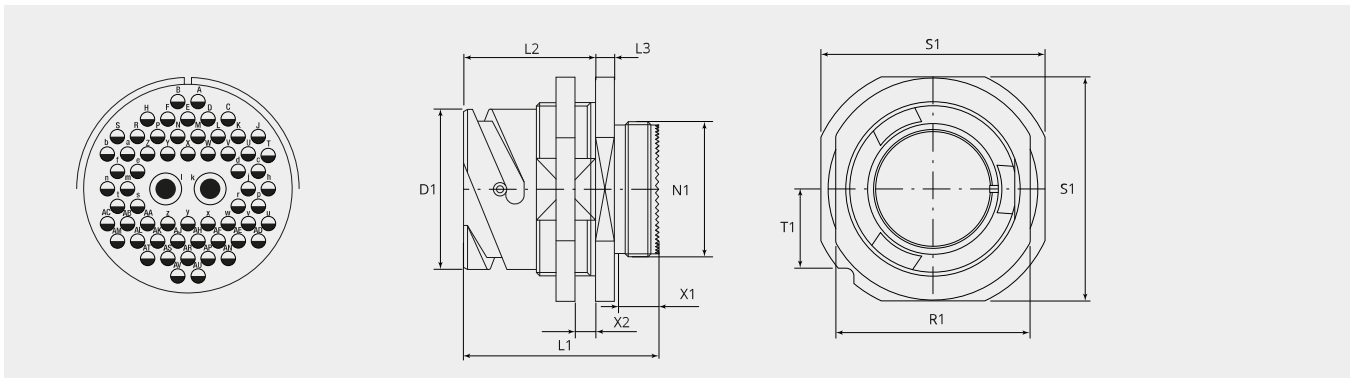
Packing unit: 1

Mechanical properties

Size:	40
Contact type:	Socket
Coding options:	4
Number of contacts, size 16:	60
Number of contacts, size 8H:	2
Shell material:	Aluminum alloy
Surface treatment:	Zinc
Type of surface:	passivated
Thickness of surface treatment:	12-15 μ
Surface colour:	black
Corrosion resistance (h):	200
Operation temperature:	-55°C - +90°C
Temperature shock:	-55°C - +125°C
Conductivity (M Ω):	\leq 0.5
EMI:	Yes
Coupling-torque to lock (Nm):	max. 10.0
Coupling-torque to open (Nm):	min. 5.9

Thermal properties

Material contact insert:	Ethylene acrylate GXF
Operating temperature:	-55°C - +150°C
Fire protection class DIN EN 45545-2:	R23/HL3



Dimensional drawing

D1 (Ø):	66.0
L1 (mm):	62.0
L2 (mm):	35.2
L3 (mm):	5.6
N1:	2 5/16"-16 UN 2A
T1 (mm):	29.6
X1 (mm):	11.3
X2 (mm):	2.4 - 8.3
S1 (mm):	83.5
R1 (mm):	75.0

Electrical properties

Operating voltage DC (V):	700
Operating voltage AC (V):	500
Test voltage AC (V):	2000
Insulation resistance (Ω m):	≥ 5000
Insulation creepage distance (mm):	≥ 3.2
Voltage class:	MIL-DTL-5015

Electrical properties contacts

Size 8H - nominal current (A):	56
Size 8H - maximal current (A):	90
Size 8H - test current (A):	72
Size 16 - nominal current [continuous] (A):	13
Size 16 - maximal current [short-term] (A):	22
Size 16 - test current (A):	20

Please contact your Gimota partner for other shell materials, surface coatings or contact insert materials.

Voltage classes tested acc. MIL-DTL-5015

Power transmission verification acc. VG95234 / 2 test 5.10.1 and VG95210 / 37

Corrosion resistance tested acc. MIL 1344A Test 101.1

Temperature shock tested acc. MIL 202F, 107G Method

Electrical conductivity acc. MIL 1344A, Test 3007

Complementary products:

Counterpart:



GS60-40-A62PN-EAA

Plug with bayonet coupling nut



GS601-40-A62PN-EAA

Plug with bayonet coupling nut, for EMI applications



GS602-40-A62PN-EAA

Plug with rubber coated coupling nut



GS604-40-A62PN-EAA

Plug with rubber coated coupling nut, for EMI applications

Backshell:

BEN40-AA
90° elbow backshell



BEN40-M7B-AA
90° elbow backshell with internal metric thread



BSH40-AA
Backshell with groove for heatshrinkable shapes



BSL40-AA
Backshell straight, long



BSN40-AA
Backshell straight, standard



BSN40-M7B-AA
Backshell straight with internal metric thread



BSR40-32-AA
Reducer backshell



BSR40-36-AA
Reducer backshell



BST40-AA
Termination back shell typ R for grommet



ET-40-14-AA
EMI adapter with cone ring, for heatshrinkable shape

Cable termination:

10-350349K-403
Synthetic cable clamp

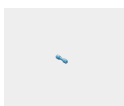


10-350349K-4040
Synthetic cable clamp

Contacts:

**10-40556-05AU**Socket contact size 16, 0.25 - 0.5mm²**10-40556-075AU**Socket contact size 16, 0.75mm²**10-40556-20-1AU**Socket contact size 16, 1.5mm²**10-40556AU**Socket contact size 16, 1.0mm²**10-40796-18AG**Socket contact size 8H, 1.5mm²**10-40796-22AG**Socket contact size 8H, 2.5mm²**10-40796-38AG**Socket contact size 8H, 6.0mm²**10-40796-50AG**Socket contact size 8H, 10mm²

Filler plugs:

**10-101033-121**

Filler plug, size 16/16S

**10-101033-141**

Filler plug, size 8H

Protection cap:

**PR40-AA-GR**

Metallic protection cap to bayonet receptacle (GR & GS)

**PR40-D**

Plastic protection cap to bayonet receptacles (GB, GR & GS)