



GTM12 Cable receptacle, straight, a-code

according EN 61076-2-101

Item number: GTM12-A-4-FS

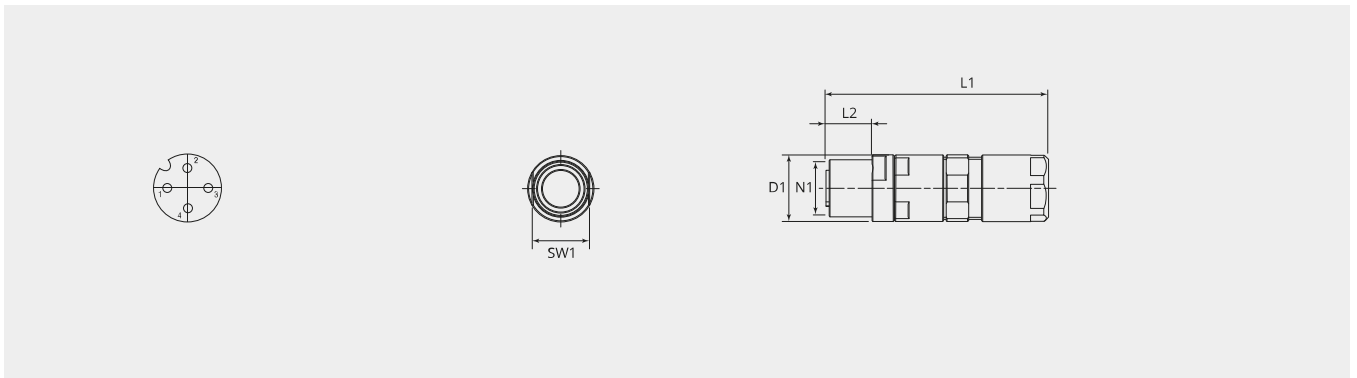
Net weight: 0.0317 kg

Mechanical properties

Design:	Cable receptacle
Version:	Straight
Coding:	A
Number of contacts:	4
Strand/wire adaptation:	Crimp
Contact type:	Socket contact
Wire section (mm²):	0.34 - 0.75
Wire section (AWG):	22 - 18
Contact Material:	0.4μ AU over copper alloy
Shell material:	Brass
Surface treatment:	Electroless nickel
Operation temperature:	-55°C - +85°C
EMI:	Yes
Cable diameter (mm):	5.0 - 8.5
Cable strain relief:	Cable gland
EMC shielding:	EMI spring
Number of mating cycles (min.):	200
ROHS compliant:	compliant with exception 6c (copper alloy ≤ 4% lead)
REACH compliant:	SVHC substances, yes - Lead

Thermal properties

Material contact insert:	Latamid 6H-V0
Operating temperature:	-55°C - +85°C
Fire protection class DIN EN 45545-2:	R23: HL1/HL2/HL3
Fire protection class NFF16-101/102:	I2/F2



Dimensional drawing

D1 (Ø):	15.0
D2 (Ø):	15.0
L1 (mm):	50.0
L2 (mm):	10.3
N1:	M12x1
SW1:	13

Electrical properties

Insulation resistance (Ω):	$\geq 10^8$
Potential drop between contacts and housing (KV):	1.4
Potential drop across contacts (KV):	1.4
Pollution degree:	3
Rated surge voltage (KV):	2.5
Rated voltage (VDC):	< 50 VAC / 75 VDC
Rated current (A):	4

Please contact your Gimota partner for other M12 products

Complementary products:

Counterpart:

**GTM12-A-4-MP**

GTM12 Cableplug, straight, a-code

**GTM12-A-4-MP-100**

GTM12 Cableplug, elbow, a-code

Contacts:

**GTM12SC18AU.100**

Socket contact - 100 pcs.

**GTM12SC18AU.20**

Socket contact - 20 pcs.

Protection cap:

**GTM12-FS-CAP**

Protection cap for GTM12

Accessory:

**CIC35-12-16**

Mounting clip for GTM12 / GTB12

Tools:



GIW-ACK

Wire stripper GIW-ACK



GIW-AFM8

Mechanical hand press tool GIW-AFM8



GIW-AFM8-SK2-2

Universal positioning adaptor GIW-AFM8-SK2/2



GIW-DM12

Torque wrench 1Nm



GIW-DM12-MS14

Wrench SW13/14