



# GTM12 Cable receptacle, straight, d-code

according EN 61076-2-101

Item number: GTM12-D-4-FS

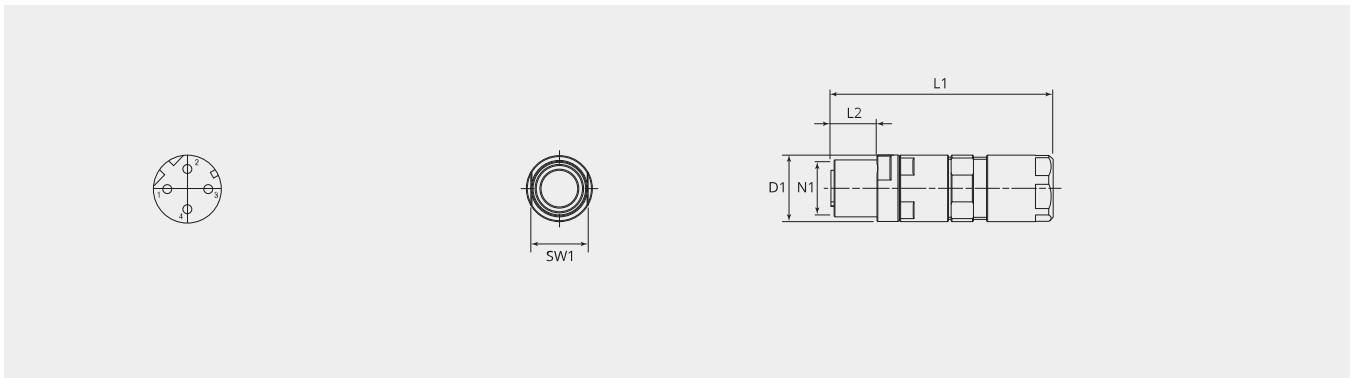
Net weight: 0.0319 kg

## Mechanical properties

<b>Design:</b>	Cable receptacle
<b>Version:</b>	Straight
<b>Coding:</b>	D
<b>Number of contacts:</b>	4
<b>Strand/wire adaptation:</b>	Crimp
<b>Contact type:</b>	Socket contact
<b>Wire section (mm<sup>2</sup>):</b>	0.34 - 0.5
<b>Wire section (AWG):</b>	22 - 20
<b>Contact Material:</b>	0.4μ AU over copper alloy
<b>Shell material:</b>	Brass
<b>Surface treatment:</b>	Electroless nickel
<b>Operation temperature:</b>	-55°C - +85°C
<b>EMI:</b>	Yes
<b>Cable diameter (mm):</b>	5.0 - 8.5
<b>Cable strain relief:</b>	Cable gland
<b>EMC shielding:</b>	EMI spring
<b>Number of mating cycles (min.):</b>	200
<b>ROHS compliant:</b>	compliant with exception 6c (copper alloy ≤ 4% lead)
<b>REACH compliant:</b>	SVHC substances, yes - Lead

## Thermal properties

<b>Material contact insert:</b>	Latamid 6H-V0
<b>Operating temperature:</b>	-55°C - +85°C
<b>Fire protection class DIN EN 45545-2:</b>	R23: HL1/HL2/HL3
<b>Fire protection class NFF16-101/102:</b>	I2/F2



## Dimensional drawing

<b>D1 (Ø):</b>	15.0
<b>D2 (Ø):</b>	15.0
<b>L1 (mm):</b>	50.0
<b>L2 (mm):</b>	10.3
<b>N1:</b>	M12x1
<b>SW1:</b>	13

## Electrical properties

<b>Insulation resistance (Ω):</b>	≥ 10 <sup>8</sup>
<b>Potential drop between contacts and housing (KV):</b>	1.4
<b>Potential drop across contacts (KV):</b>	1.4
<b>Data transfer speed:</b>	10/100 Mbits/s - Cat5e
<b>Pollution degree:</b>	3
<b>Rated surge voltage (KV):</b>	2.5
<b>Rated voltage (VDC):</b>	< 50 VAC / 75 VDC
<b>Rated current (A):</b>	4

Please contact your Gimota partner for other M12 products