



GTM12 Cableplug, straight, d-code

according EN 61076-2-101

Item number: GTM12-D-4-MP

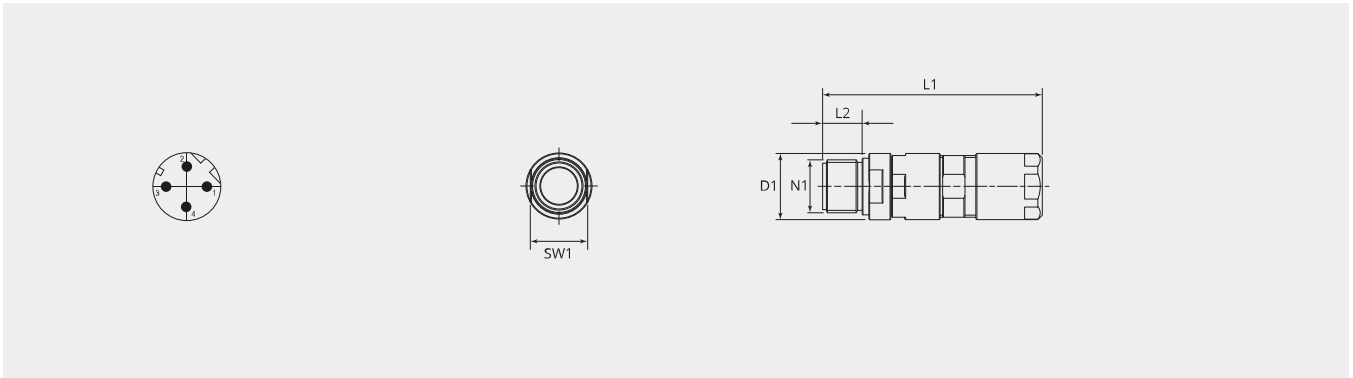
Net weight: 0.0312 kg

Mechanical properties

| | |
|--|--|
| Design: | Cable plug |
| Version: | Straight |
| Coding: | D |
| Number of contacts: | 4 |
| Strand/wire adaptation: | Crimp |
| Contact type: | Pin contact |
| Wire section (mm²): | 0.34 - 0.5 |
| Wire section (AWG): | 22 - 20 |
| Contact Material: | 0.4μ AU over copper alloy |
| Shell material: | Brass |
| Surface treatment: | Electroless nickel |
| Operation temperature: | -55°C - +85°C |
| EMI: | Yes |
| Cable diameter (mm): | 5.0 - 8.5 |
| Cable strain relief: | Cable gland |
| EMC shielding: | EMI spring |
| Number of mating cycles (min.): | 200 |
| ROHS compliant: | compliant with exception 6c (copper alloy ≤ 4% lead) |
| REACH compliant: | SVHC substances, yes - Lead |

Thermal properties

| | |
|--|------------------|
| Material contact insert: | Latamid 6H-V0 |
| Operating temperature: | -55°C - +85°C |
| Fire protection class DIN EN 45545-2: | R23: HL1/HL2/HL3 |
| Fire protection class NFF16-101/102: | I2/F2 |



Dimensional drawing

| | |
|-----------------|-------|
| D1 (Ø): | 15.0 |
| D2 (Ø): | 15.0 |
| L1 (mm): | 50.0 |
| L2 (mm): | 8.9 |
| N1: | M12x1 |
| SW1: | 13 |

Electrical properties

| | |
|--|------------------------|
| Insulation resistance (Ω): | ≥ 10 ⁸ |
| Potential drop between contacts and housing (KV): | 1.4 |
| Potential drop across contacts (KV): | 1.4 |
| Data transfer speed: | 10/100 Mbits/s - Cat5e |
| Pollution degree: | 3 |
| Rated surge voltage (KV): | 2.5 |
| Rated voltage (VDC): | < 50 VAC / 75 VDC |
| Rated current (A): | 4 |

Please contact your Gimota partner for other M12 products

Complementary products:

Counterpart:

**GTM12-D-4-FS**

GTM12 Cable receptacle, straight, d-code

**GTM12-D-4-FS-100**

GTM12 Cable receptacle, elbow, d-code

**GTM12-D-4-FS-BR**

GTM12 Bulkhead receptacle, d-code

Contacts:

**GTM12PC20AU.100**

Pin contact - 100 pcs.

**GTM12PC20AU.20**

Pin contact - 20 pcs.

Protection cap:

**GTM12-MP-CAP**

Protection cap GTM12

Accessory:

**CIC35-12-16**

Mounting clip for GTM12 / GTB12

**CICE35-12-16K**

Mounting clip for GTM12 / GTB12

Tools:



GIW-ACK
Wire stripper GIW-ACK



GIW-AFM8
Mechanical hand press tool GIW-AFM8



GIW-AFM8-SK2-2
Universal positioning adaptor GIW-AFM8-SK2/2



GIW-DM12
Torque wrench 1Nm



GIW-DM12-MS14
Wrench SW13/14