



# GTM12 Cableplug, straight, x-code

according EN 61076-2-109

Item number: GTM12-X-8-MP

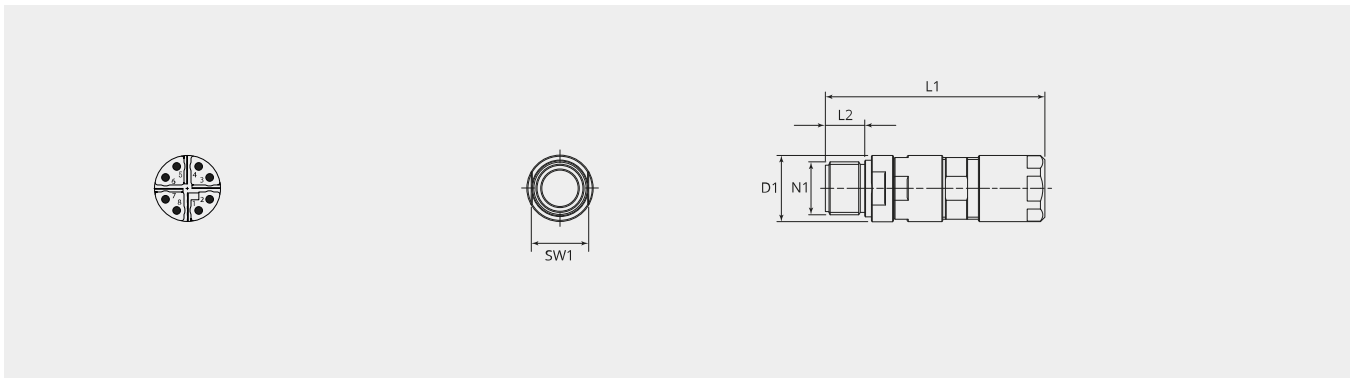
Net weight: 0.0313 kg

## Mechanical properties

|  |  |
|--|--|
| <b>Design:</b>                         | Cable plug   |
| <b>Version:</b>                        | Straight   |
| <b>Coding:</b>                         | X  |
| <b>Number of contacts:</b>             | 8  |
| <b>Strand/wire adaptation:</b>         | Crimp  |
| <b>Contact type:</b>                   | Pin contact  |
| <b>Wire section (mm<sup>2</sup>):</b>  | 0.14 - 0.2   |
| <b>Wire section (AWG):</b>             | 26 - 24  |
| <b>Contact Material:</b>               | 0.4μ AU over copper alloy                            |
| <b>Shell material:</b>                 | Brass / Zinc alloy                                   |
| <b>Surface treatment:</b>              | Electroless nickel                                   |
| <b>Operation temperature:</b>          | -55°C - +85°C  |
| <b>EMI:</b>                            | Yes  |
| <b>Cable diameter (mm):</b>            | 6.0 - 8.5  |
| <b>Cable strain relief:</b>            | Cable gland  |
| <b>EMC shielding:</b>                  | EMI spring   |
| <b>Number of mating cycles (min.):</b> | 200  |
| <b>ROHS compliant:</b>                 | compliant with exception 6c (copper alloy ≤ 4% lead) |
| <b>REACH compliant:</b>                | SVHC substances, yes - Lead                          |

## Thermal properties

|  |                  |
|--|------------------|
| <b>Material contact insert:</b>              | Latamid 6H-V0    |
| <b>Operating temperature:</b>                | -55°C - +85°C    |
| <b>Fire protection class DIN EN 45545-2:</b> | R23: HL1/HL2/HL3 |
| <b>Fire protection class NFF16-101/102:</b>  | I2/F2            |



## Dimensional drawing

|                 |       |
|-----------------|-------|
| <b>D1 (Ø):</b>  | 15.0  |
| <b>D2 (Ø):</b>  | 15.0  |
| <b>L1 (mm):</b> | 55.0  |
| <b>L2 (mm):</b> | 10.1  |
| <b>N1:</b>      | M12x1 |
| <b>SW1:</b>     | 13    |

## Electrical properties

|  |                                    |
|--|------------------------------------|
| <b>Insulation resistance (Ω):</b>                        | $\geq 10^8$                        |
| <b>Potential drop between contacts and housing (KV):</b> | 0.5                                |
| <b>Potential drop across contacts (KV):</b>              | 0.5                                |
| <b>Data transfer speed:</b>                              | 10'000 Mbits/s - CAT6 <sub>A</sub> |
| <b>Pollution degree:</b>                                 | 3                                  |
| <b>Rated surge voltage (KV):</b>                         | 1.5                                |
| <b>Rated voltage (VDC):</b>                              | 48                                 |
| <b>Rated current (A):</b>                                | 0.5                                |

**Please contact your Gimota partner for other M12 products**