



Receptacle front panel mount, for higher voltages, Series GV

Indoor and Outdoor use, up to 1000VAC/46A, contact size 8H

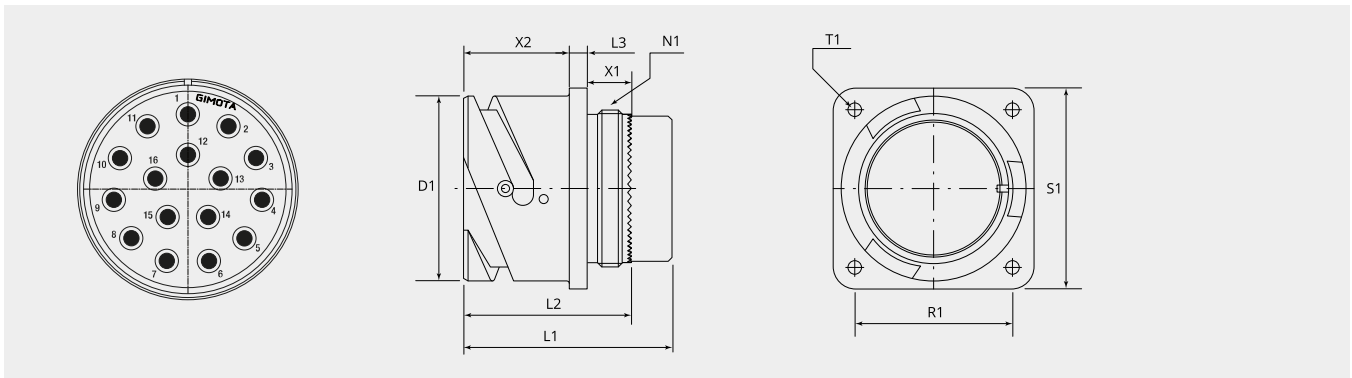
Item number: GV210-40-A16PN-EAC

Mechanical properties

Size:	40
Contact type:	Pin
Number of contacts, size 8H:	16
Shell material:	Aluminum alloy
Surface treatment:	Epoxy-polyurethane
Type of surface:	varnished
Thickness of surface treatment:	13-16 μ
Surface colour:	black
Corrosion resistance (h):	500
Operation temperature:	-55°C - +125°C
Temperature shock:	-55°C - +125°C
Conductivity (M Ω):	non conductive
EMI:	No
Material sealing ring:	Silicone
Coupling-torque to lock (Nm):	max. 10.0
Coupling-torque to open (Nm):	min. 5.9

Thermal properties

Material contact insert:	Ethylene acrylate GXF
Operating temperature:	-55°C - +150°C
Fire protection class DIN EN 45545-2:	R23/HL3
Fire protection class:	S4/SR2/ST2 / -
Fire protection class NFF16-101/102:	I3/F0 - I3-F3
Fire protection class UL94:	V0 / -



Dimensional drawing

D1 (Ø):	66.0
L1 (mm):	50.0
L2 (mm):	37.5
L3 (mm):	4.0
N1:	2 5/16"-16 UN 2A
T1 (mm):	4.3 / M5
X1 (mm):	11.3
X2 (mm):	22.2
S1 (mm):	70.0
R1 (mm):	55.6

Electrical properties

Operating voltage DC (V):	1000
Insulation resistance (Ω m):	≥ 5000

Electrical properties contacts

Size 8H - nominal current (A):	56
Size 8H - maximal current (A):	90
Size 8H - test current (A):	72

Please contact your Gimota partner for other shell materials, surface coatings or contact insert materials.

Voltage classes tested acc. MIL-DTL-5015 Power transmission verification acc. VG95234 / 2 test 5.10.1 and VG95210 / 37 Corrosion resistance tested acc. MIL 1344A Test 101.1 Temperature shock tested acc. MIL 202F, 107G Method Electrical conductivity acc. MIL 1344A, Test 3007

Complementary products:

Counterpart:

**GV60-40-A16SN-EAC**

Circular connectors for higher voltages (Series GV)

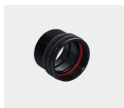
**GV603-40-A16SN-EAC**

Circular connectors for higher voltages (Series GV)

Backshell:

**BSL40-AC**

Backshell straight, long

**BSN40-AC**

Back shell straight, standard

**BSN40-M7B-AC**

Backshell straight with internal metric thread

Cable termination:

**10-350349K-4040**

Synthetic cable clamp

Contacts:

**10-40794-18AG**

Pin contact size 8H, 1.5mm²

**10-40794-22AG**

Pin contact size 8H, 2.5mm²

**10-40794-38AG**

Pin contact size 8H, 6mm²

**10-40794-50AG**

Pin contact size 8H, 10mm²

Filler plugs:

**10-101033-141**

Filler plug, size 8H