



# Circular connectors for higher voltages (Series GV)

Indoor, up to 1000VAC/46A, contact size 8H

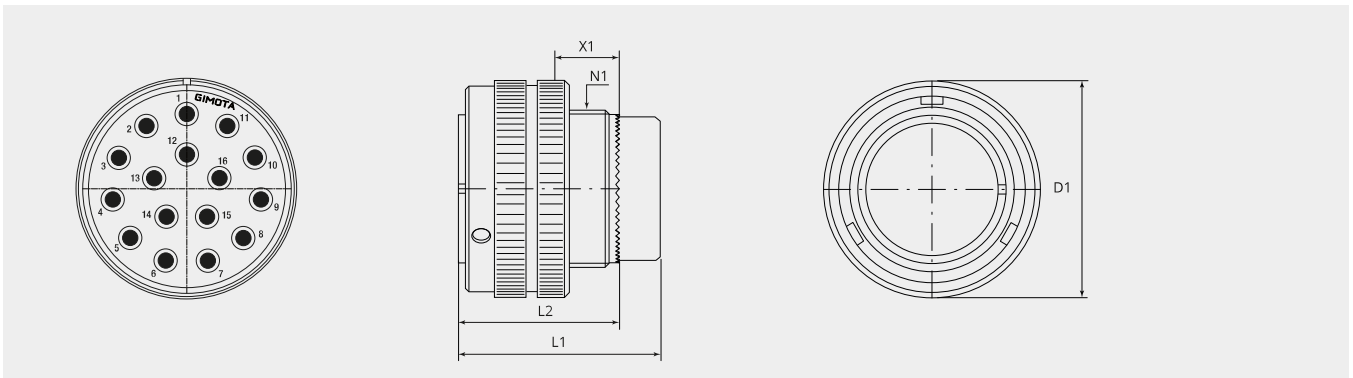
Item number: GV60-40-A16SN-EAC

## Mechanical properties

Size:	40
Contact type:	Socket
Number of contacts, size 8H:	16
Shell material:	Aluminum alloy
Surface treatment:	Epoxy-polyurethane
Type of surface:	varnished
Thickness of surface treatment:	13-16 $\mu$
Surface colour:	black
Corrosion resistance (h):	500
Operation temperature:	-55°C - +125°C
Temperature shock:	-55°C - +125°C
Conductivity (M $\Omega$ ):	non conductive
EMI:	No
Material sealing ring:	Silicone
Coupling-torque to lock (Nm):	max. 10.0
Coupling-torque to open (Nm):	min. 5.9

## Thermal properties

Material contact insert:	Ethylene acrylate GXF / thermoplastic
Operating temperature:	-55°C - +150°C
Fire protection class DIN EN 45545-2:	R23/HL3
Fire protection class:	S4/SR2/ST2 / -
Fire protection class NFF16-101/102:	I3/F0 - I3-F3
Fire protection class UL94:	V0 / -



## Dimensional drawing

<b>D1 (Ø):</b>	73.0
<b>L1 (mm):</b>	50.0
<b>L2 (mm):</b>	38.5
<b>N1:</b>	2 5/16"-16 UN 2A
<b>X1 (mm):</b>	11.3

## Electrical properties

<b>Operating voltage DC (V):</b>	1000
<b>Insulation resistance (Ω m):</b>	≥ 5000

## Electrical properties contacts

<b>Size 8H - nominal current (A):</b>	56
<b>Size 8H - maximal current (A):</b>	90
<b>Size 8H - test current (A):</b>	72

## Complementary products:

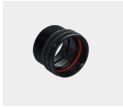
### Counterpart:

**GV210-40-A16PN-EAC**

Receptacle front panel mount, for higher voltages, Series GV

---

### Backshell:

**BSN40-AC**

Back shell straight, standard

**BSN40-M7B-AC**

Backshell straight with internal metric thread

---

### Contacts:

**10-40796-18AG**

Socket contact size 8H, 1.5mm<sup>2</sup>

**10-40796-22AG**

Socket contact size 8H, 2.5mm<sup>2</sup>

**10-40796-38AG**

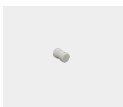
Socket contact size 8H, 6.0mm<sup>2</sup>

**10-40796-50AG**

Socket contact size 8H, 10mm<sup>2</sup>

---

### Filler plugs:

**10-101033-141**

Filler plug, size 8H