

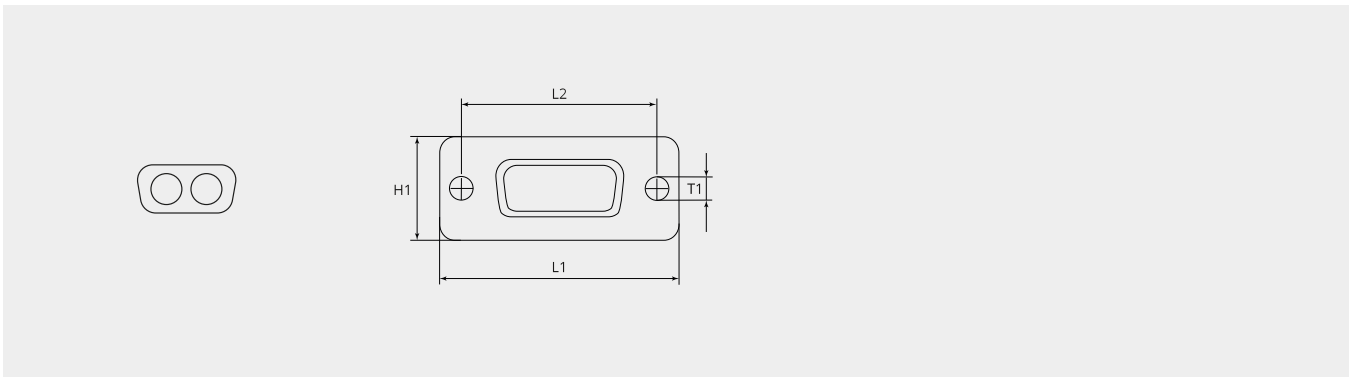


Socket contact housing D-SUB - 2-poles

Item number: SUH02W2S

Technical characteristics

Size:	1
Shell material:	Steel
Surface treatment:	Tin plated
Material contact insert:	Thermoplastic
Operation temperature:	-55°C - +105°C
Fire protection class UL94:	UL94 - V0



Dimensional drawing

L1 (mm):	30.8
L2 (mm):	25.0
T1 (mm):	3.0
H1 (mm):	12.5

Complementary products:

Contacts:



SUMCS8-11AU1
Socket contact size 8



SUMCS8-11AU2
Socket contact size 8



SUMCS8-14AU1
Socket contact size 8



SUMCS8-14AU2
Socket contact size 8



SUMCS8-18AU1
Socket contact size 8



SUMCS8-18AU2
Socket contact size 8



SUMCS8-8AU1
Socket contact size 8



SUMCS8-8AU2
Socket contact size 8