

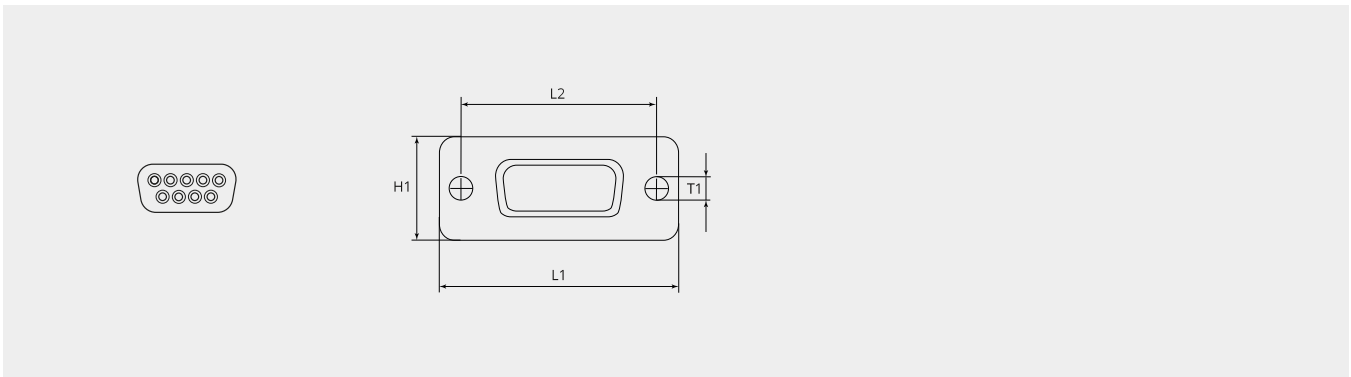


# Socket contact housing D-SUB - 9-poles

Item number: SUHV09S

## Technical characteristics

Size:	1
Shell material:	Steel
Surface treatment:	Tin plated
Material contact insert:	Thermoplastic
Operation temperature:	-55°C - +105°C
Fire protection class UL94:	UL94 - V0



## Dimensional drawing

L1 (mm):	30.8
L2 (mm):	25.0
T1 (mm):	3.0
H1 (mm):	12.5