

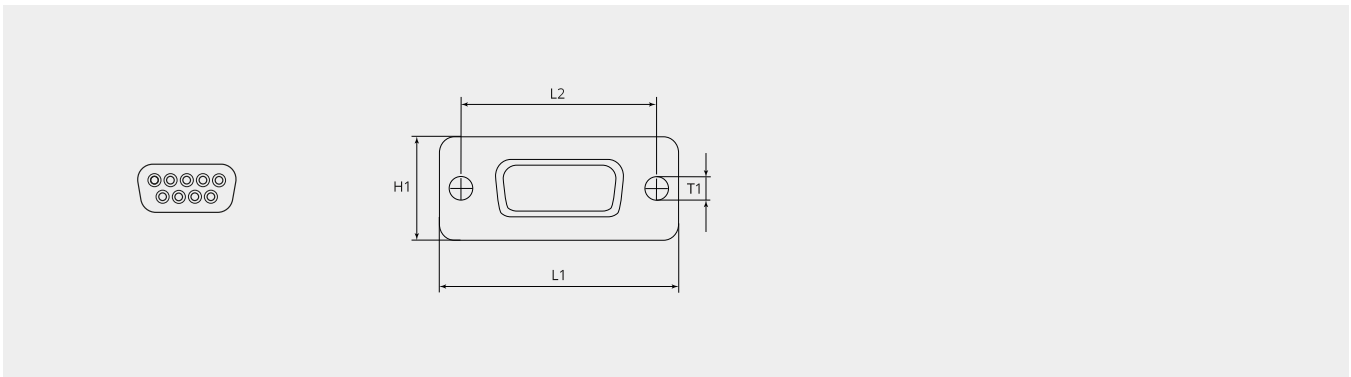


Socket contact housing D-SUB - 9-poles

Item number: SUHV09S

Technical characteristics

Size:	1
Shell material:	Steel
Surface treatment:	Tin plated
Material contact insert:	Thermoplastic
Operation temperature:	-55°C - +105°C
Fire protection class UL94:	UL94 - V0



Dimensional drawing

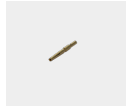
L1 (mm):	30.8
L2 (mm):	25.0
T1 (mm):	3.0
H1 (mm):	12.5

Complementary products:

Contacts:

**SUMCS18-22AU1**

Machined socket contacts

**SUMCS18-22AU2**

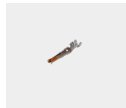
Machined socket contacts

**SUMCS20-24AU1**

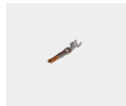
Machined socket contacts

**SUMCS20-24AU2**

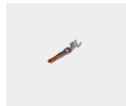
Machined socket contacts

**SUPCS20-24AU2**

Socket contact punched

**SUPCS20-24AU2-100**

Socket contact punched, reel of 10000 pcs.

**SUPCS20-24AU2-3**

Socket contact punched, reel of 350 pcs.

**SUMCS24-28AU1**

Machined socket contacts

**SUMCS24-28AU1-S**

Machined socket contacts

**SUMCS24-28AU2**

Machined socket contacts