



# Receptacle with threaded coupling, front panel mount

Series GT

Item number: GT210-36-10SN-EAC

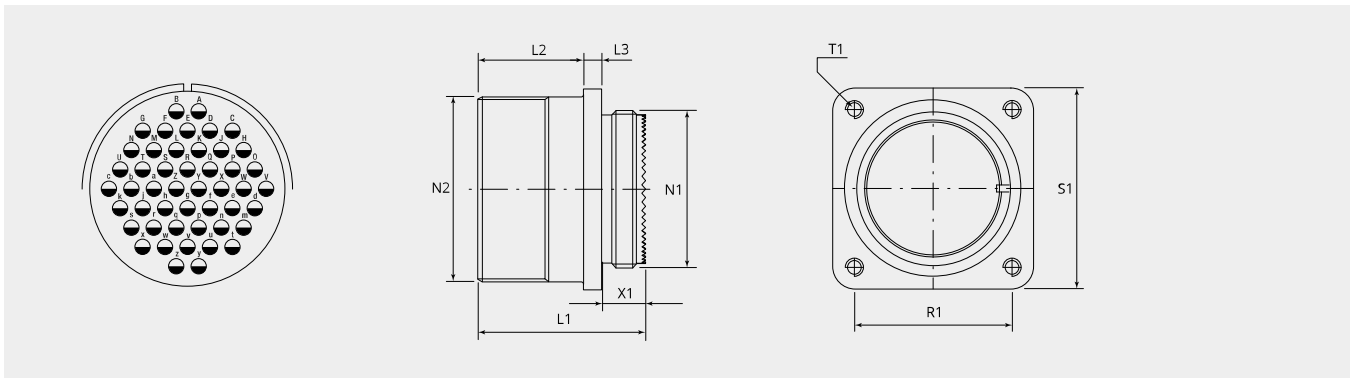
Packing unit: 1

## Mechanical properties

Size:	36
Contact type:	Socket
Coding options:	4
Number of contacts, size 16:	48
Shell material:	Aluminum alloy
Surface treatment:	Epoxy-polyurethane
Type of surface:	varnished
Thickness of surface treatment:	13-16 $\mu$
Surface colour:	black
Corrosion resistance (h):	500
Operation temperature:	-55°C - +125°C
Temperature shock:	-55°C - +125°C
Conductivity (M $\Omega$ ):	non conductive
EMI:	No
Coupling-torque to lock (Nm):	max. 9.0
Coupling-torque to open (Nm):	min. 4.5

## Thermal properties

Material contact insert:	Ethylene acrylate GXF
Operating temperature:	-55°C - +150°C
Fire protection class DIN EN 45545-2:	R23/HL3



## Dimensional drawing

<b>D1 (Ø):</b>	60.0
<b>L1 (mm):</b>	39.5
<b>L2 (mm):</b>	24.1
<b>L3 (mm):</b>	4.0
<b>N1:</b>	2 1/16"-16 UN 2A
<b>N2:</b>	2 1/4"-16 UN 2A
<b>T1 (mm):</b>	4.3
<b>X1 (mm):</b>	11.3
<b>S1 (mm):</b>	63.5
<b>R1 (mm):</b>	49.2

## Electrical properties

<b>Operating voltage DC (V):</b>	700
<b>Operating voltage AC (V):</b>	500
<b>Test voltage AC (V):</b>	2000
<b>Insulation resistance (Ω m):</b>	≥ 5000
<b>Insulation creepage distance (mm):</b>	≥ 3.2
<b>Voltage class:</b>	MIL-DTL-5015

## Electrical properties contacts

<b>Size 16 - nominal current [continuous] (A):</b>	13
<b>Size 16 - maximal current [short-term] (A):</b>	22
<b>Size 16 - test current (A):</b>	20

**Please contact your Gimota partner for other shell materials, surface coatings or contact insert materials.**

Voltage classes tested acc. MIL-DTL-5015

Power transmission verification acc. VG95234 / 2 test 5.10.1 and VG95210 / 37

Corrosion resistance tested acc. MIL 1344A Test 101.1

Temperature shock tested acc. MIL 202F, 107G Method

Electrical conductivity acc. MIL 1344A, Test 3007

## Complementary products:

### Counterpart:



#### **GT60-36-10PN-EAC**

Plug with threaded coupling nut

### Backshell:



#### **BEN36-AA**

90° elbow backshell



#### **BEN36-M6B-AA**

90° elbow backshell with internal metric thread



#### **BSE36-40-AA**

Enlarger back shell



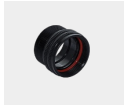
#### **BSH36-AA**

Backshell with groove for heatshrinkable shapes



#### **BSL36-AA**

Backshell straight, long



#### **BSN36-AA**

Backshell straight, standard



#### **BSN36-M7B-AA**

Backshell straight with internal metric thread



#### **BSR36-18-AA**

Reducer backshell



#### **BST36-AA**

Termination back shell typ R for grommet



#### **ET-36-12-AA**

EMI adapter with cone ring, for heatshrinkable shape

#### Cable termination:



**10-350349K-3640**

Synthetic cable clamp

#### Contacts:



**10-40556-05AU**

Socket contact size 16, 0.25 - 0.5mm<sup>2</sup>



**10-40556-075AU**

Socket contact size 16, 0.75mm<sup>2</sup>



**10-40556-20-1AU**

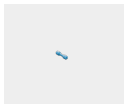
Socket contact size 16, 1.5mm<sup>2</sup>



**10-40556AU**

Socket contact size 16, 1.0mm<sup>2</sup>

#### Filler plugs:



**10-101033-121**

Filler plug, size 16/16S

#### Accessory:



**10-40450-36**

Sealing gasket for receptacle, front panel mount



**10-40450-36S**

Sealing gasket for receptacle, front panel mount, conductive



**10-40451-36**

Sealing gasket for receptacle, rear panel mount



**10-40451-36S**

Sealing gasket for receptacle, rear panel mount, conductive