



Receptacle with threaded coupling, front panel mount

Series GT

Item number: GT210-40-35PN-EAC

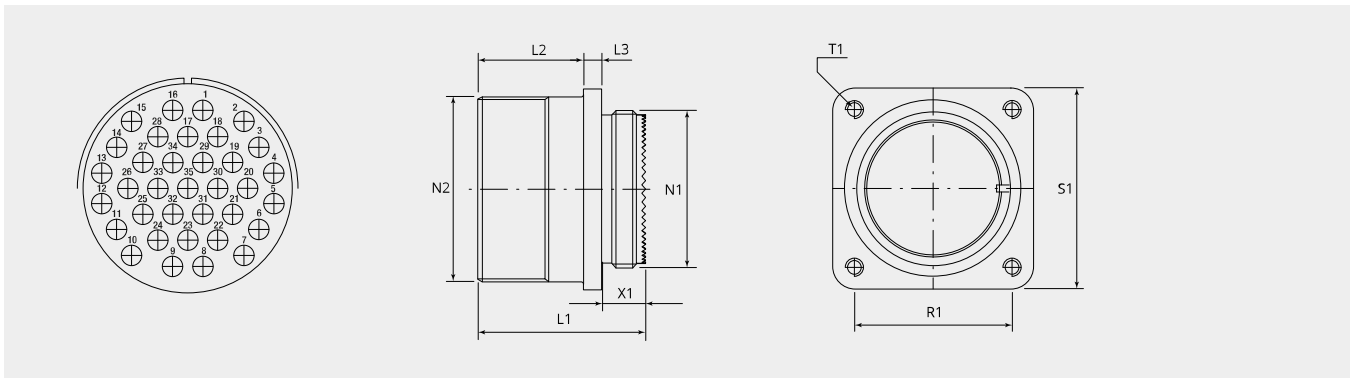
Packing unit: 1

Mechanical properties

Size:	40
Contact type:	Pin
Coding options:	4
Number of contacts, size 12:	35
Shell material:	Aluminum alloy
Surface treatment:	Epoxy-polyurethane
Type of surface:	varnished
Thickness of surface treatment:	13-16 μ
Surface colour:	black
Corrosion resistance (h):	500
Operation temperature:	-55°C - +125°C
Temperature shock:	-55°C - +125°C
Conductivity (M Ω):	non conductive
EMI:	No
Coupling-torque to lock (Nm):	max. 10.0
Coupling-torque to open (Nm):	min. 5.9

Thermal properties

Material contact insert:	Ethylene acrylate GXF
Operating temperature:	-55°C - +150°C
Fire protection class DIN EN 45545-2:	R23/HL3



Dimensional drawing

D1 (∅):	66.0
L1 (mm):	39.5
L2 (mm):	24.1
L3 (mm):	4.0
N1:	2 5/16"-16 UN 2A
N2:	2 1/2"-16 UN 2A
T1 (mm):	4.3
X1 (mm):	11.3
S1 (mm):	69.8
R1 (mm):	55.6

Electrical properties

Operating voltage AC (V):	130/250*
Voltage class:	SEV-EN60998-1
Contact numbers:	All
Operating voltage DC (V):	1250
Operating voltage AC (V):	900
Test voltage AC (V):	2800
Insulation resistance (Ω m):	≥ 5000
Insulation creepage distance (mm):	≥ 4.8
Voltage class:	MIL-DTL-5015

Electrical properties contacts

Size 12 - nominal current (A):	23
Size 12 - maximal current (A):	41
Size 12 - test current (A):	35

Please contact your Gimota partner for other shell materials, surface coatings or contact insert materials.

Voltage classes tested acc. MIL-DTL-5015

Power transmission verification acc. VG95234 / 2 test 5.10.1 and VG95210 / 37

Corrosion resistance tested acc. MIL 1344A Test 101.1

Temperature shock tested acc. MIL 202F, 107G Method

Electrical conductivity acc. MIL 1344A, Test 3007

Complementary products:

Counterpart:



GT60-40-35SN-EAC

Plug with threaded coupling nut

Backshell:



BEN40-AA

90° elbow backshell



BEN40-M7B-AA

90° elbow backshell with internal metric thread



BSH40-AA

Backshell with groove for heatshrinkable shapes



BSL40-AA

Backshell straight, long



BSN40-AA

Backshell straight, standard



BSN40-M7B-AA

Backshell straight with internal metric thread



BSR40-32-AA

Reducer backshell



BSR40-36-AA

Reducer backshell



BST40-AA

Termination back shell typ R for grommet



ET-40-14-AA

EMI adapter with cone ring, for heatshrinkable shape

Cable termination:



10-350349K-403

Synthetic cable clamp



10-350349K-4040

Synthetic cable clamp

Contacts:



10-40561-11AU

Pin contact size 12, 0.5mm²



10-40561-15AU

Pin contact size 12, 0.75 - 1.0mm²



10-40561-18AU

Pin contact size 12, 1.5mm²



10-40561-22AU

Pin contact size 12, 2.5mm²



10-40561-30AU

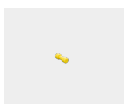
Pin contact size 12, 4.0mm²



10-40561-38AU

Pin contact size 12, 6.0mm²

Filler plugs:



10-101033-131

Filler plug, size 12

Accessory:



10-40450-40

Sealing gasket for receptacle, front panel mount



10-40450-40S

Sealing gasket for receptacle, front panel mount, conductive



10-40451-40

Sealing gasket for receptacle, rear panel mount



10-40451-40S

Sealing gasket for receptacle, rear panel mount, conductive