



Plug with threaded coupling nut

Series GT

Item number: GT60-36-15SN-EAC

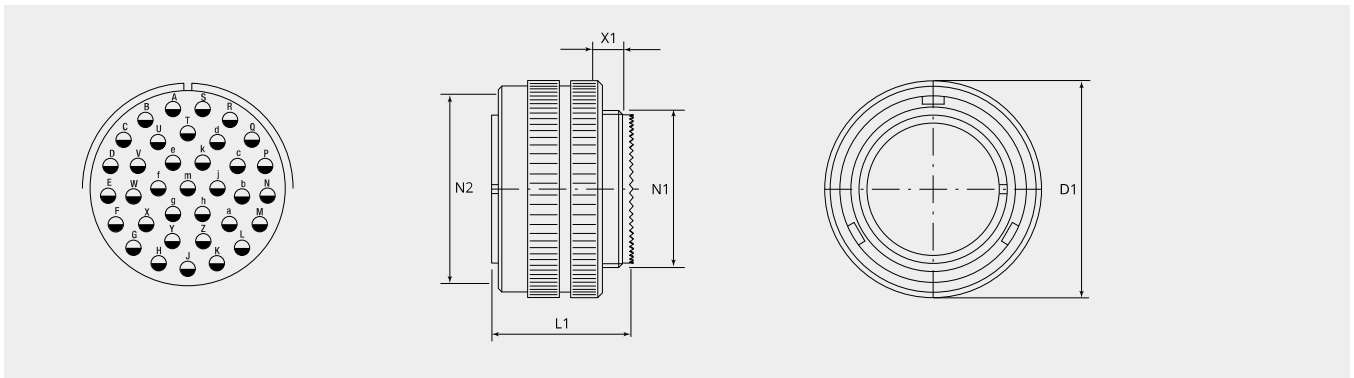
Packing unit: 1

Mechanical properties

Size:	36
Contact type:	Socket
Coding options:	4
Number of contacts, size 16:	35
Shell material:	Aluminum alloy
Surface treatment:	Zinc
Type of surface:	passivated
Thickness of surface treatment:	12-15 μ
Surface colour:	black
Corrosion resistance (h):	200
Operation temperature:	-55°C - +90°C
Temperature shock:	-55°C - +125°C
Conductivity (M Ω):	\leq 0.5
Coupling-torque to lock (Nm):	max. 9.0
Coupling-torque to open (Nm):	min. 4.5

Thermal properties

Material contact insert:	Ethylene acrylate GXF
Operating temperature:	-55°C - +150°C
Fire protection class DIN EN 45545-2:	R23/HL3



Dimensional drawing

D1 (Ø):	63.0
L1 (mm):	38.5
N1:	2 1/16"-16 UN 2A
N2:	2 1/4"-16 UN 2B
X1 (mm):	11.3

Electrical properties

Contact numbers:	M
Operating voltage DC (V):	1250
Operating voltage AC (V):	900
Test voltage AC (V):	2800
Insulation resistance (Ω m):	≥ 5000
Insulation creepage distance (mm):	≥ 4.8
Voltage class:	MIL-DTL-5015
Contact numbers:	Rest
Operating voltage DC (V):	700
Operating voltage AC (V):	500
Test voltage AC (V):	2000
Insulation resistance (Ω m):	≥ 5000
Insulation creepage distance (mm):	≥ 3.2
Voltage class:	MIL-DTL-5015

Electrical properties contacts

Size 16 - nominal current [continuous] (A):	13
Size 16 - maximal current [short-term] (A):	22
Size 16 - test current (A):	20

Please contact your Gimota partner for other shell materials, surface coatings or contact insert materials.

Voltage classes tested acc. MIL-DTL-5015

Power transmission verification acc. VG95234 / 2 test 5.10.1 and VG95210 / 37

Corrosion resistance tested acc. MIL 1344A Test 101.1

Temperature shock tested acc. MIL 202F, 107G Method

Electrical conductivity acc. MIL 1344A, Test 3007

Complementary products:

Counterpart:



GT210-36-15PN-EAC

Receptacle with threaded coupling, front panel mount

Backshell:



BEN36-AA

90° elbow backshell



BEN36-M6B-AA

90° elbow backshell with internal metric thread



BSE36-40-AA

Enlarger back shell



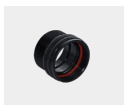
BSH36-AA

Backshell with groove for heatshrinkable shapes



BSL36-AA

Backshell straight, long



BSN36-AA

Backshell straight, standard



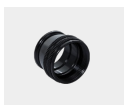
BSN36-M7B-AA

Backshell straight with internal metric thread



BSR36-18-AA

Reducer backshell



BST36-AA

Termination back shell typ R for grommet



ET-36-12-AA

EMI adapter with cone ring, for heatshrinkable shape

Cable termination:



10-350349K-3640

Synthetic cable clamp

Contacts:



10-40556-05AU

Socket contact size 16, 0.25 - 0.5mm²



10-40556-075AU

Socket contact size 16, 0.75mm²



10-40556-20-1AU

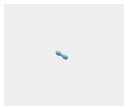
Socket contact size 16, 1.5mm²



10-40556AU

Socket contact size 16, 1.0mm²

Filler plugs:



10-101033-121

Filler plug, size 16/16S