



Cable clamp

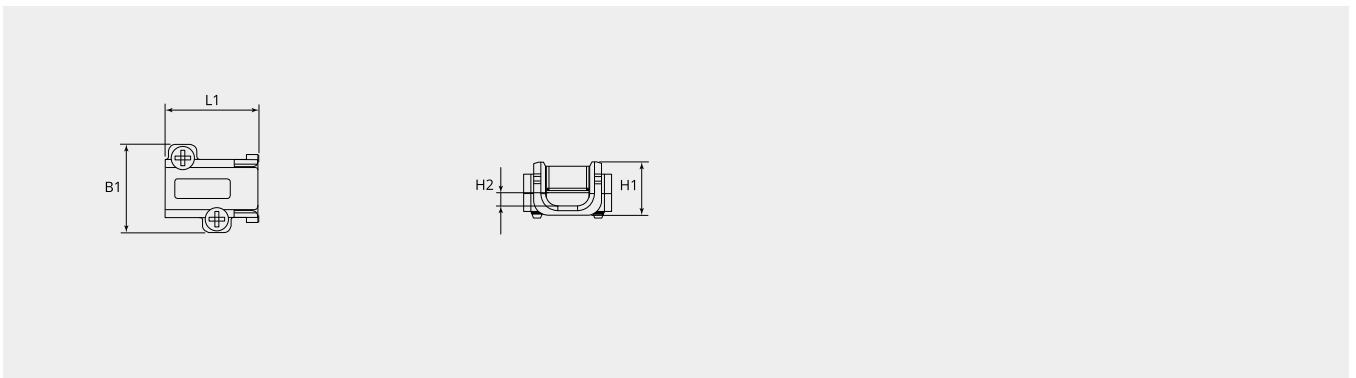
Cable strain relief 10-12mm, to Mega-/Gigabit modules

Item number: GMRA-CC-MG-10-12

Packing unit: 1

Technical characteristics

Shell material:	Zinc cast
Operating temperature:	-40°C - +85°C
Cable diameter (mm):	10.0 - 12.0
REACH compliant:	SVHC substances, yes - Lead
ROHS compliant:	Compliant according to 2015/863/EU (RoHS II), Annex II



Dimensional drawing

B1 (mm):	18.1
H1 (mm):	10.9
H2 (mm):	7.1
L1 (mm):	19.2