



Cable clamp

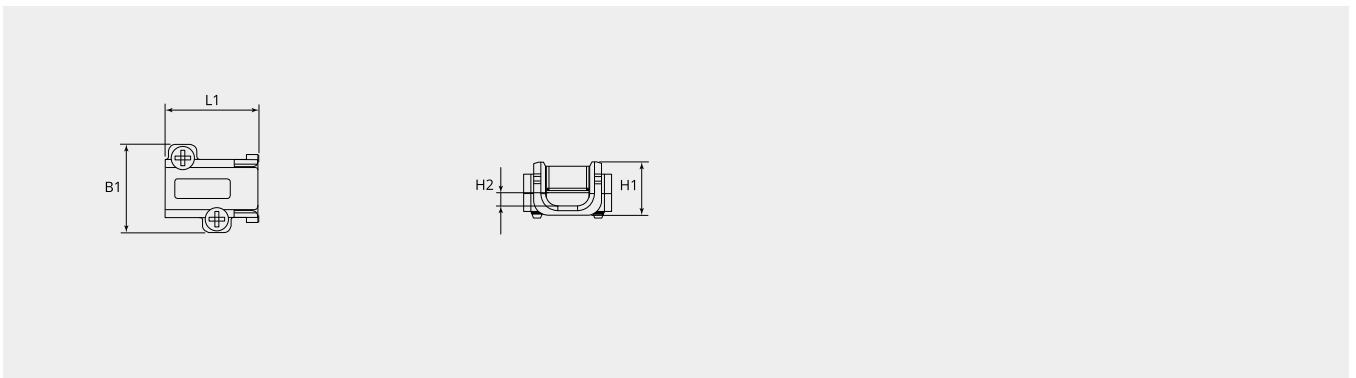
Cable strain relief 9-11mm, to Mega-/Gigabit modules

Item number: GMRA-CC-MG-9-11

Packing unit: 1

Technical characteristics

| | |
|------------------------|--|
| Shell material: | Zinc cast |
| Operating temperature: | -40°C - +85°C |
| Cable diameter (mm): | 9.0 - 11.0 |
| REACH compliant: | SVHC substances, yes - Lead |
| ROHS compliant: | Compliant according to 2015/863/EU (RoHS II), Annex II |



Dimensional drawing

| | |
|----------|------|
| B1 (mm): | 20.1 |
| H1 (mm): | 11.0 |
| H2 (mm): | 7.6 |
| L1 (mm): | 19.0 |