



Hood size 24 B

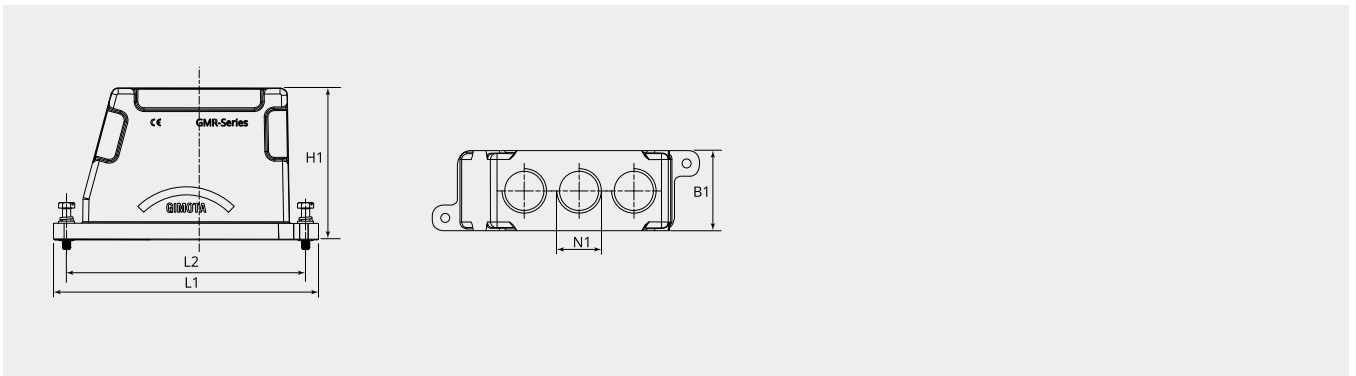
3 x M32 thread, top entry

Item number: GMRH-24BS-H-TEH-3M32

Packing unit: 1

Technical characteristics

| | |
|-----------------------------|---|
| Shell material: | Aluminium die-cast |
| Surface treatment: | Powder-coated |
| Surface colour: | RAL 9005 (jet black) |
| Locking mode: | Screw locking |
| Operation temperature: | -40°C - +125°C |
| Material sealing ring: | Nitrile Butadiene Rubber (NBR) |
| Number of slots: | 6 modules |
| Top entry horizontal (TEH): | 3 x M32 |
| Cable strain relief: | Cable gland |
| REACH compliant: | SVHC substances, yes - Lead |
| ROHS compliant: | Compliant acc. to 2015/863/EU (RoHS II), Annex II |



Dimensional drawing

| | |
|----------|-----------|
| B1 (mm): | 58.0 |
| d1 (Ø): | M32 x 1.5 |
| H1 (mm): | 110.0 |
| L1 (mm): | 192.0 |
| L2 (mm): | 173.0 |
| N1: | M32x1.5 |

