



Module 2 pole, pin, 1000V, 40A

Number of slots: 1

Item number: GMRM-1000-40-2PCC-01

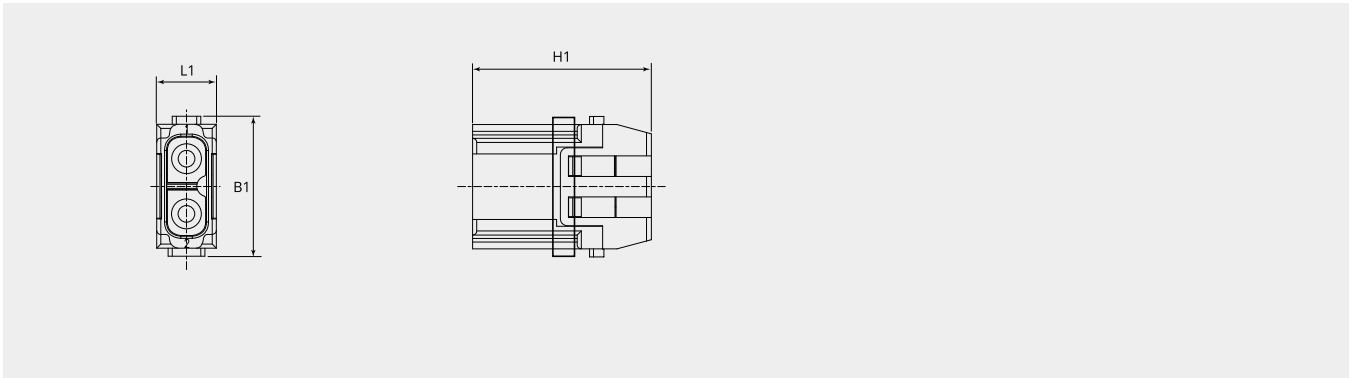
Packing unit: 1

Technical characteristics

Number of slots:	1
Number of contacts:	2
Contact type:	Pin
Number of mating cycles (min.):	500
REACH compliant:	SVHC substances, no
ROHS compliant:	Compliant

Thermal properties

Material contact insert:	Polycarbonate (PC)
Operating temperature:	-40°C - +125°C
Fire protection class UL94:	V0
Fire protection class DIN EN 45545-2:	R22/HL1,HL2 R23,24/HL1,HL2,HL3



Dimensional drawing

B1 (mm):	34.2
H1 (mm):	43.7
L1 (mm):	14.6

Electrical properties

Rated current (A):	40
Operating voltage (V):	1000
Rated impulse voltage (kV):	8
Insulation resistance (Ω):	$\geq 10^{10}$
Pollution degree:	3

