



# Module 12 pole, pin, 250V, 10A

Number of slots: 1

Item number: GMRM-250-10-12PZC-01

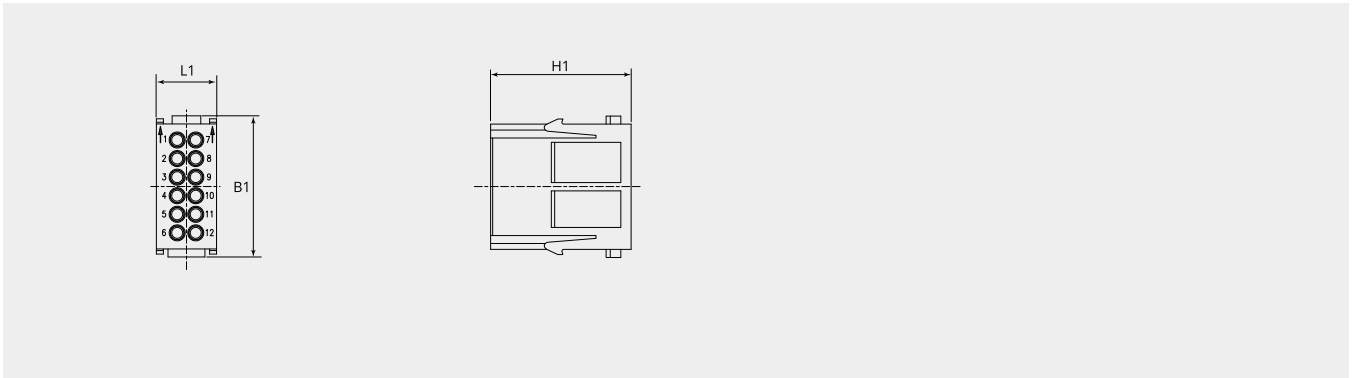
Packing unit: 1

## Technical characteristics

Number of slots:	1
Number of contacts:	12
Contact type:	Pin
Number of mating cycles (min.):	500
REACH compliant:	SVHC substances, no
ROHS compliant:	Compliant

## Thermal properties

Material contact insert:	Polycarbonate (PC)
Operating temperature:	-40°C - +125°C
Fire protection class UL94:	V0
Fire protection class DIN EN 45545-2:	R22/HL1,HL2 R23,24/HL1,HL2,HL3



## Dimensional drawing

<b>B1 (mm):</b>	34.2
<b>H1 (mm):</b>	34.0
<b>L1 (mm):</b>	14.6

## Electrical properties

<b>Rated current (A):</b>	10
<b>Operating voltage (V):</b>	250
<b>Rated voltage acc. to UL/CSA (V):</b>	600
<b>Rated impulse voltage (kV):</b>	4
<b>Insulation resistance (<math>\Omega</math>):</b>	$\geq 10^{10}$
<b>Pollution degree:</b>	3



## Complementary products:

### Counterpart:



**GMRM-250-10-12SZC-01**  
Module 12 pole, socket, 250V, 10A

### Contacts:



**GMRC-PDC-0.25AU**  
Pin contact DC series, 10A, 0.25mm<sup>2</sup>



**GMRC-PZC-0.37AU**  
Pin contact ZC series, 10A, 0.37mm<sup>2</sup>



**GMRC-PZC-0.50AU**  
Pin contact ZC series, 10A, 0.5mm<sup>2</sup>



**GMRC-PZC-0.75AU**  
Pin contact ZC series, 10A, 0.75mm<sup>2</sup>



**GMRC-PZC-1.0AU**  
Pin contact ZC series, 10A, 1.0mm<sup>2</sup>



**GMRC-PZC-1.5AU**  
Pin contact ZC series, 10A, 1.5mm<sup>2</sup>



**GMRC-PZC-2.5AU**  
Pin contact ZC series, 10A, 2.5mm<sup>2</sup>