



Q-Coax insert 4 pole, socket, 50V, 10A

Suitable for carrier GMRM-AQC-2S-02

Item number: GMRM-50-10-4SZC-AQC

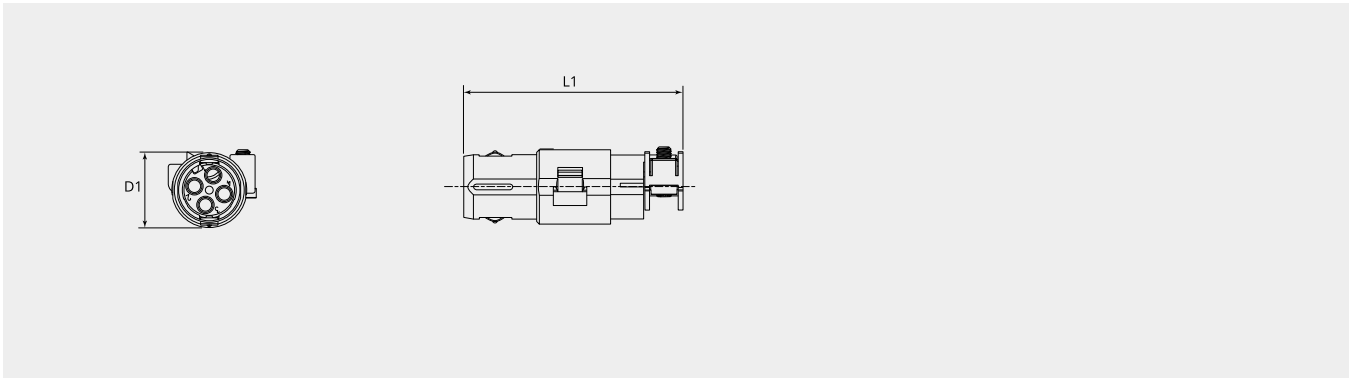
Packing unit: 1

Technical characteristics

Number of contacts:	4 + SH
Contact type:	Socket
Shell material:	Zinc cast
Surface treatment:	Electroless nickel
Number of mating cycles (min.):	500
Cable diameter (mm):	3 - 9.5
REACH compliant:	SVHC substances, yes - Lead
ROHS compliant:	Compliant acc. to 2015/863/EU (RoHS II), Annex II

Thermal properties

Material contact insert:	Polycarbonate (PC)
Operating temperature:	-40°C - +85°C
Fire protection class DIN EN 45545-2:	R22/HL1,HL2 R23,24/HL1,HL2,HL3



Dimensional drawing

D1 (Ø):	15.5
L1 (mm):	45.9

Electrical properties

Rated current (A):	10
Operating voltage (V):	50
Rated impulse voltage (kV):	0.8
Pollution degree:	3

