



Q-Coax insert 4 pole, socket, 50V, 10A

Suitable for carrier GMRM-AQC-2S-02

Item number: GMRM-50-10-4SZC-AQC

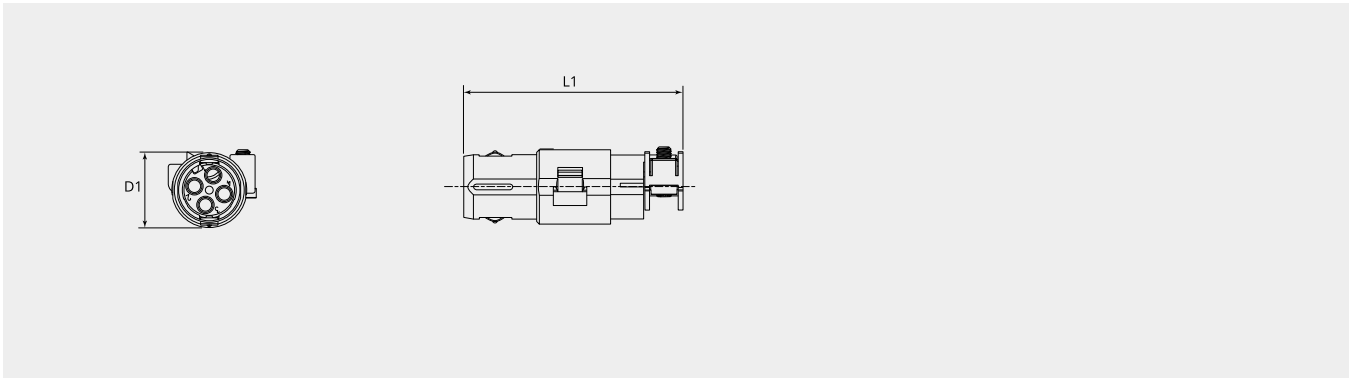
Packing unit: 1

Technical characteristics

| | |
|---------------------------------|---|
| Number of contacts: | 4 + SH |
| Contact type: | Socket |
| Shell material: | Zinc cast |
| Surface treatment: | Electroless nickel |
| Number of mating cycles (min.): | 500 |
| Cable diameter (mm): | 3 - 9.5 |
| REACH compliant: | SVHC substances, yes - Lead |
| ROHS compliant: | Compliant acc. to 2015/863/EU (RoHS II), Annex II |

Thermal properties

| | |
|---------------------------------------|-----------------------------------|
| Material contact insert: | Polycarbonate (PC) |
| Operating temperature: | -40°C - +85°C |
| Fire protection class DIN EN 45545-2: | R22/HL1,HL2 R23,24/HL1,HL2,HL3 |



Dimensional drawing

| | |
|-----------------|------|
| D1 (Ø): | 15.5 |
| L1 (mm): | 45.9 |

Electrical properties

| | |
|------------------------------------|-----|
| Rated current (A): | 10 |
| Operating voltage (V): | 50 |
| Rated impulse voltage (kV): | 0.8 |
| Pollution degree: | 3 |



Complementary products:

Counterpart:



GMRM-50-10-4PZC-AQC
Q-Coax insert 4 pole, pin, 50V, 10A

Contacts:



GMRC-SDC-0.25AU
Socket contact DC series, 10A, 0.25mm²



GMRC-SZC-0.37AU
Socket contact ZC series, 10A, 0.37mm²



GMRC-SZC-0.50AU
Socket contact ZC series, 10A, 0.5mm²



GMRC-SZC-0.75AU
Socket contact ZC series, 10A, 0.75mm²



GMRC-SZC-1.0AU
Socket contact ZC series, 10A, 1.0mm²



GMRC-SZC-1.5AU
Socket contact ZC series, 10A, 1.5mm²



GMRC-SZC-2.5AU
Socket contact ZC series, 10A, 2.5mm²