



# Q-Coax insert 8 pole, pin, 50V, 5A

Suitable for carrier GMRM-AQC-2P-02

Item number: GMRM-50-5-8PSC-AQC

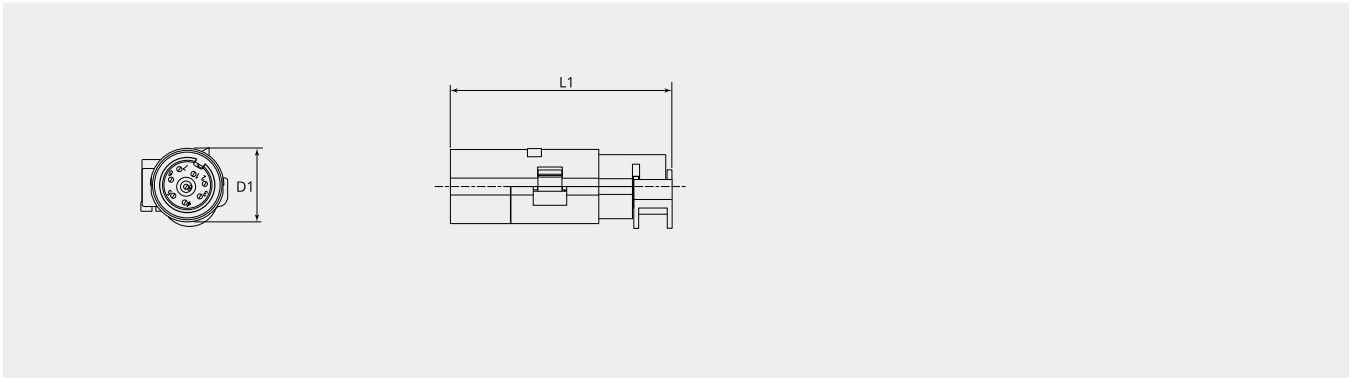
Packing unit: 1

## Technical characteristics

Number of contacts:	8 + SH
Contact type:	Pin
Shell material:	Zinc cast
Surface treatment:	Electroless nickel
Number of mating cycles (min.):	500
Cable diameter (mm):	3 - 9.5
REACH compliant:	SVHC substances, yes - Lead
ROHS compliant:	Compliant acc. to 2015/863/EU (RoHS II), Annex II

## Thermal properties

Material contact insert:	Polycarbonate (PC)
Operating temperature:	-40°C - +85°C
Fire protection class DIN EN 45545-2:	R22/HL1,HL2 R23,24/HL1,HL2,HL3



## Dimensional drawing

<b>D1 (Ø):</b>	15.5
<b>L1 (mm):</b>	46.2

## Electrical properties

<b>Rated current (A):</b>	5
<b>Operating voltage (V):</b>	50
<b>Rated impulse voltage (kV):</b>	0.8
<b>Pollution degree:</b>	3

