



# Module 20 pole, socket, 550V, 16A

Number of slots: 2

Item number: GMRM-500-16-20SEC-02

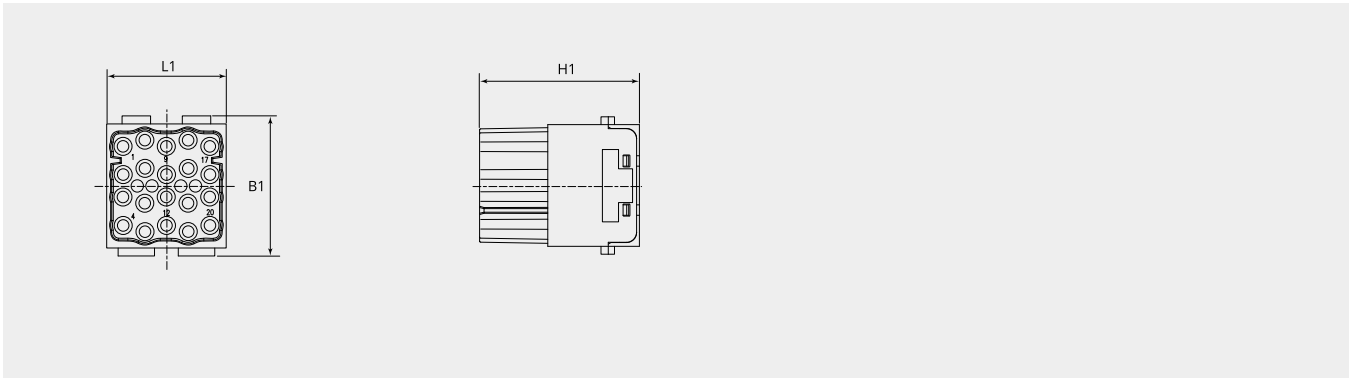
Packing unit: 1

## Technical characteristics

Number of slots:	2
Number of contacts:	20
Contact type:	Socket
Number of mating cycles (min.):	500
REACH compliant:	SVHC substances, no
ROHS compliant:	Compliant

## Thermal properties

Material contact insert:	Polycarbonate (PC)
Operating temperature:	-40°C - +125°C
Fire protection class UL94:	V0
Fire protection class DIN EN 45545-2:	R22/HL1,HL2 R23,24/HL1,HL2,HL3



## Dimensional drawing

<b>B1 (mm):</b>	34.2
<b>H1 (mm):</b>	39.8
<b>L1 (mm):</b>	29.2

## Electrical properties

<b>Rated current (A):</b>	16
<b>Operating voltage (V):</b>	500
<b>Rated voltage acc. to UL/CSA (V):</b>	600
<b>Rated impulse voltage (kV):</b>	6
<b>Insulation resistance (<math>\Omega</math>):</b>	$\geq 10^{10}$
<b>Pollution degree:</b>	3



## Complementary products:

### Counterpart:



**GMRM-500-16-20PEC-02**  
Module 20 pole, pin, 550V, 16A

### Contacts:



**GMRC-SEC-0.50AU**  
Socket contact EC series, 16A, 0.5mm<sup>2</sup>



**GMRC-SEC-0.75AU**  
Socket contact EC series, 16A, 0.75mm<sup>2</sup>



**GMRC-SEC-1.0AU**  
Socket contact EC series, 16A, 1.0mm<sup>2</sup>



**GMRC-SEC-1.5AU**  
Socket contact EC series, 16A, 1.5mm<sup>2</sup>



**GMRC-SEC-2.5AU**  
Socket contact EC series, 16A, 2.5mm<sup>2</sup>



**GMRC-SEC-3.0AU**  
Socket contact EC series, 16A, 3.0mm<sup>2</sup>



**GMRC-SEC-4.0AU**  
Socket contact EC series, 16A, 4.0mm<sup>2</sup>