



# Module 2 pole, pin, 5000V, 16A

Number of slots: 2

Item number: GMRM-5000-16-2PEC-02

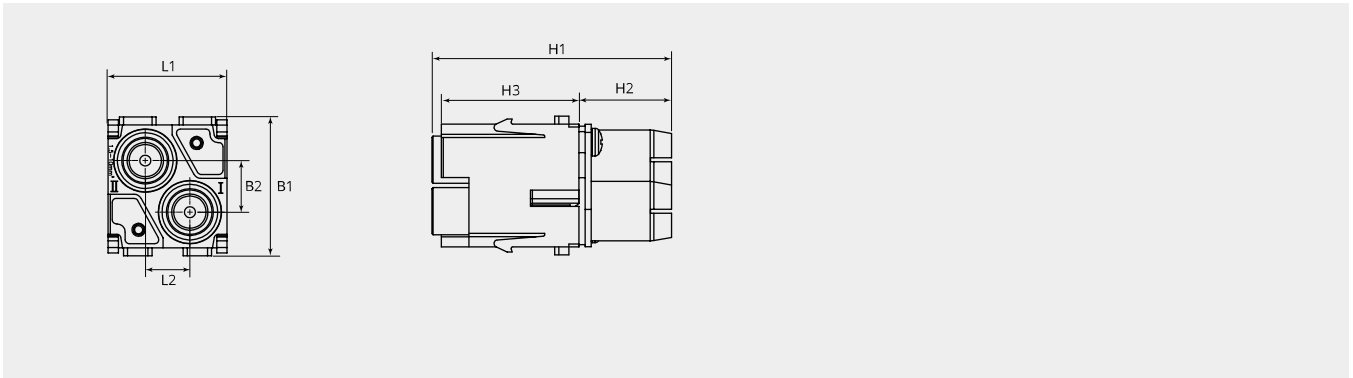
Packing unit: 1

## Technical characteristics

Number of slots:	2
Number of contacts:	2
Contact type:	Pin
Number of mating cycles (min.):	500
REACH compliant:	SVHC substances, no
ROHS compliant:	Compliant

## Thermal properties

Material contact insert:	Polycarbonate (PC) / Polytetrafluoroethylene (PTFE)
Operating temperature:	-40°C - +125°C
Fire protection class UL94:	V0
Fire protection class DIN EN 45545-2:	R22/HL1,HL2 R23,24/HL1,HL2,HL3



## Dimensional drawing

<b>B1 (mm):</b>	34.2
<b>B2 (mm):</b>	12.7
<b>H1 (mm):</b>	59.1
<b>H2 (mm):</b>	34.0
<b>H3 (mm):</b>	22.8
<b>L1 (mm):</b>	29.3
<b>L2 (mm):</b>	11.0

## Electrical properties

<b>Rated current (A):</b>	16
<b>Operating voltage (V):</b>	5000 / 2900 □
<b>Rated impulse voltage (kV):</b>	15
<b>Insulation resistance (Ω):</b>	$\geq 10^{10}$
<b>Pollution degree:</b>	3

