



Module 2 pole, socket, 5000V, 40A

Number of slots: 2

Item number: GMRM-5000-40-2SCC-02

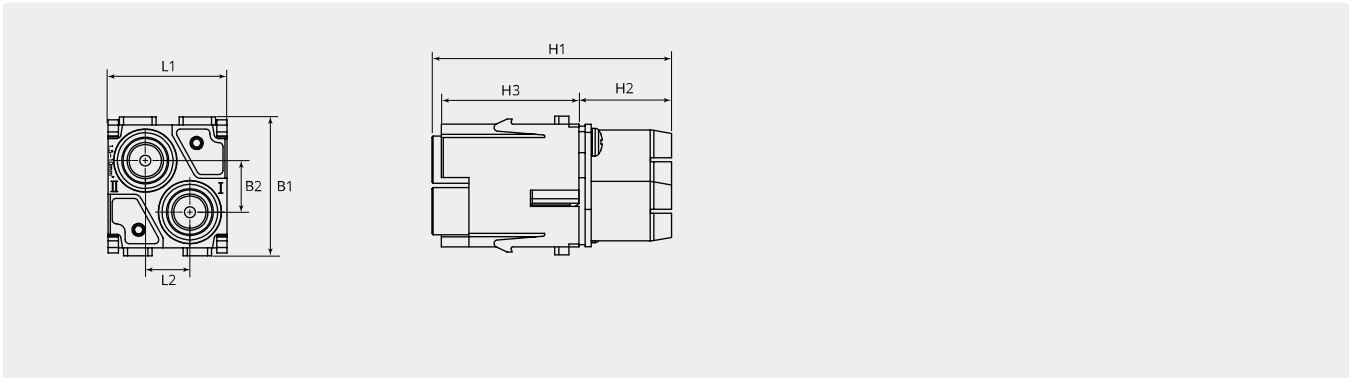
Packing unit: 1

Technical characteristics

Number of slots:	2
Number of contacts:	2
Contact type:	Socket
Max. cable insulation Ø (mm):	9
Number of mating cycles (min.):	500
REACH compliant:	SVHC substances, no
ROHS compliant:	Compliant

Thermal properties

Material contact insert:	Polycarbonate (PC) / Polytetrafluoroethylene (PTFE)
Operating temperature:	-40°C - +125°C
Fire protection class UL94:	V0
Fire protection class DIN EN 45545-2:	R22/HL1,HL2 R23,24/HL1,HL2,HL3



Dimensional drawing

B1 (mm):	34.2
B2 (mm):	12.7
H1 (mm):	62.0
H2 (mm):	34.0
H3 (mm):	24.8
L1 (mm):	29.3
L2 (mm):	11.0

Electrical properties

Rated current (A):	40
Operating voltage (V):	5000 / 2900 □
Rated impulse voltage (kV):	15
Insulation resistance (Ω):	$\geq 10^{10}$
Pollution degree:	3

