



Dummy module

Number of slots: 1

Item number: GMRM-BM-01

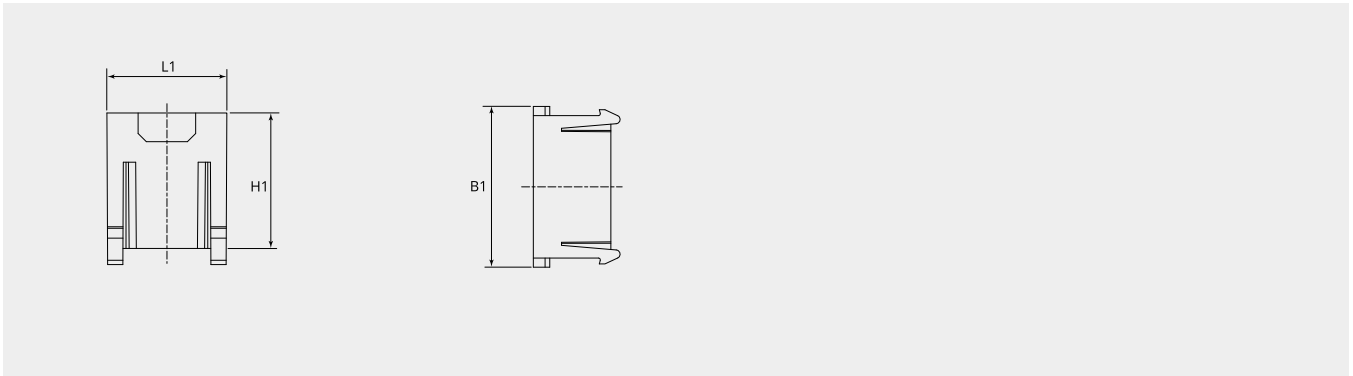
Packing unit: 1

Technical characteristics

Number of slots:	1
REACH compliant:	SVHC substances, no
ROHS compliant:	Compliant

Thermal properties

Material contact insert:	Polycarbonate (PC)
Operating temperature:	-40°C - +125°C
Fire protection class UL94:	V0
Fire protection class DIN EN 45545-2:	R22/HL1,HL2 R23,24/HL1,HL2,HL3



Dimensional drawing

B1 (mm):	34.2
H1 (mm):	16.5
L1 (mm):	14.6

