



GigaBit module 8 pole, socket, 50V, 5A

Number of slots: 1

Item number: GMRM-GB-8SSC-AMG

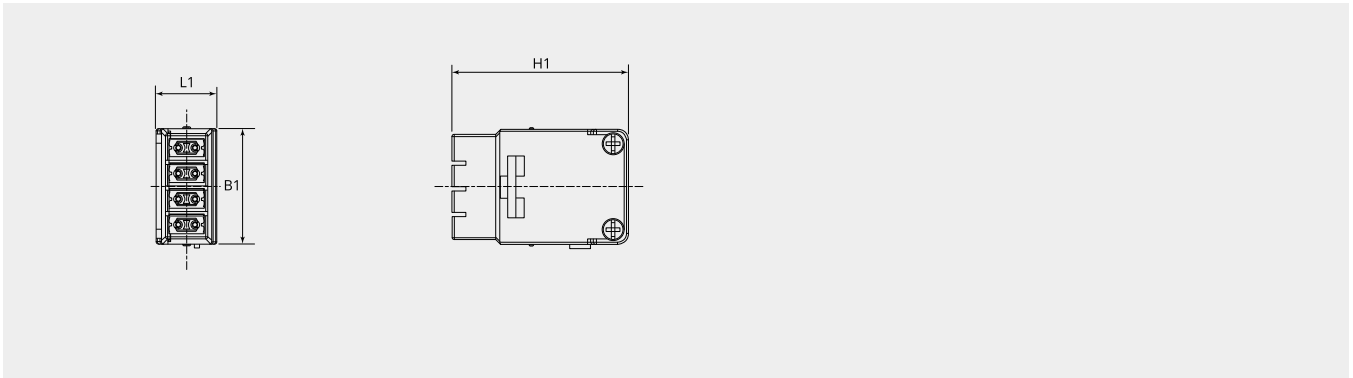
Packing unit: 1

Technical characteristics

Number of slots:	1
Number of contacts:	8 (4 x 2)
Contact type:	Socket
Shell material:	Zinc cast
Surface treatment:	Passivated
Number of mating cycles (min.):	500
Clamping range (mm):	5 - 12
REACH compliant:	SVHC substances, yes - Lead
ROHS compliant:	Compliant acc. to 2015/863/EU (RoHS II), Annex II

Thermal properties

Material contact insert:	Polycarbonate (PC)
Operating temperature:	-40°C - +85°C
Fire protection class UL94:	V0
Fire protection class DIN EN 45545-2:	R22/HL1,HL2 R23,24/HL1,HL2,HL3



Dimensional drawing

B1 (mm):	27.6
H1 (mm):	40.3
L1 (mm):	13.9

Electrical properties

Rated current (A):	5
Operating voltage (V):	50
Rated impulse voltage (kV):	0.8
Insulation resistance (Ω):	≤ 0.004
Pollution degree:	3

