



GigaBit module 8 pole, pin, EMI, 50V, 5A

Number of slots: 1

Item number: GMRM-GBE-8PSC-AMG

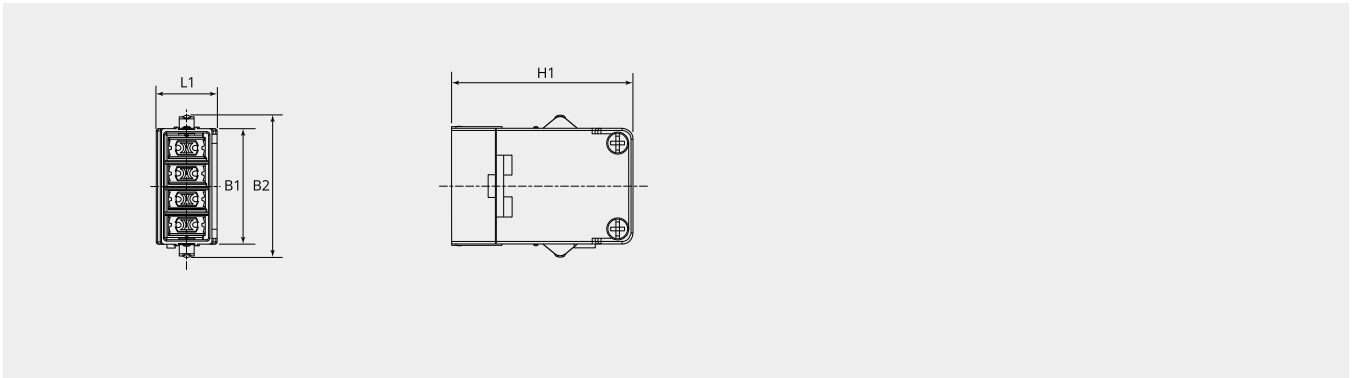
Packing unit: 1

Technical characteristics

Number of slots:	1
Number of contacts:	8 (4 x 2)
Contact type:	Pin
Shell material:	Zinc cast
Surface treatment:	Passivated
Number of mating cycles (min.):	500
Clamping range (mm):	5 - 12
REACH compliant:	SVHC substances, yes - Lead
ROHS compliant:	Compliant acc. to 2015/863/EU (RoHS II), Annex II

Thermal properties

Material contact insert:	Polycarbonate (PC)
Operating temperature:	-40°C - +85°C
Fire protection class UL94:	V0
Fire protection class DIN EN 45545-2:	R22/HL1,HL2 R23,24/HL1,HL2,HL3



Dimensional drawing

B1 (mm):	33.0
B2 (mm):	26.4
H1 (mm):	41.4
L1 (mm):	13.9

Electrical properties

Rated current (A):	5
Operating voltage (V):	50
Rated impulse voltage (kV):	0.8
Insulation resistance (Ω):	≤ 0.004
Pollution degree:	3
EMI:	Shell contact



Complementary products:

Counterpart:

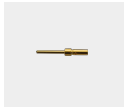


GMRM-GBE-8SSC-AMG
GigaBit module 8 pole, socket, EMI, 50V, 5A

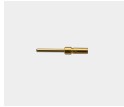
Contacts:

**GMRC-PSC-0.25AU**

Pin contact SC series, 5A, 0.25mm²

**GMRC-PSC-0.33AU**

Pin contact SC series, 5A, 0.33mm²

**GMRC-PSC-0.52AU**

Pin contact SC series, 5A, 0.52mm²

Adaptor:

**GMRM-AMG-8P-01**

Adapter to 8-pole Mega / Gigabit modules

Accessory:

**GMRA-CC-MG-10-12**

Cable clamp

**GMRA-CC-MG-5-7**

Cable clamp

**GMRA-CC-MG-7-10**

Cable clamp

**GMRA-CC-MG-9-11**

Cable clamp