

# GigaBit module 8 pole, socket, EMI, 50V, 5A

Number of slots: 1

Item number: GMRM-GBE-8SSC-AMG

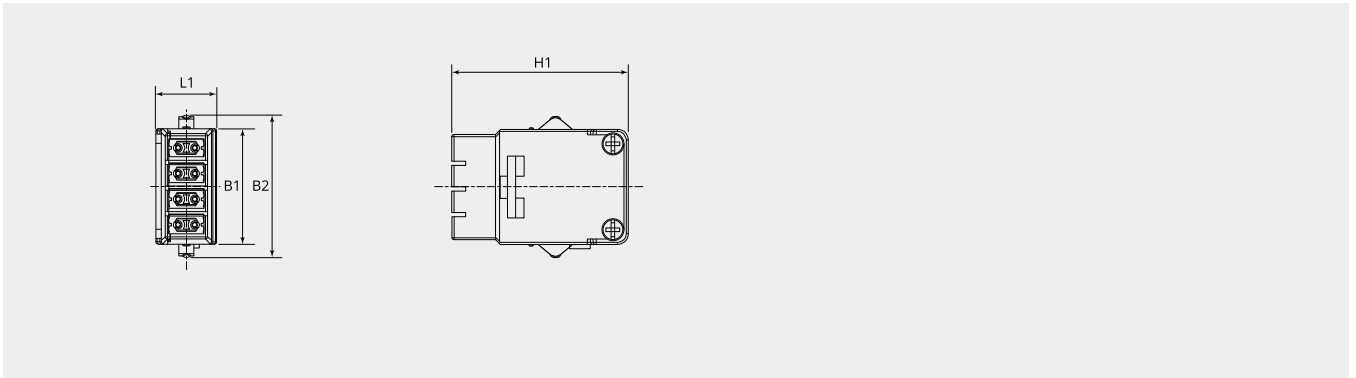
Packing unit: 1

## Technical characteristics

Number of slots:	1
Number of contacts:	8 (4 x 2)
Contact type:	Socket
Shell material:	Zinc cast
Surface treatment:	Passivated
Number of mating cycles (min.):	500
Clamping range (mm):	5 - 12
REACH compliant:	SVHC substances, yes - Lead
ROHS compliant:	Compliant acc. to 2015/863/EU (RoHS II), Annex II

## Thermal properties

Material contact insert:	Polycarbonate (PC)
Operating temperature:	-40°C - +85°C
Fire protection class UL94:	V0
Fire protection class DIN EN 45545-2:	R22/HL1,HL2 R23,24/HL1,HL2,HL3



## Dimensional drawing

<b>B1 (mm):</b>	33.0
<b>B2 (mm):</b>	27.6
<b>H1 (mm):</b>	40.3
<b>L1 (mm):</b>	13.9

## Electrical properties

<b>Rated current (A):</b>	5
<b>Operating voltage (V):</b>	50
<b>Rated impulse voltage (kV):</b>	0.8
<b>Insulation resistance (<math>\Omega</math>):</b>	$\leq 0.004$
<b>Pollution degree:</b>	3
<b>EMI:</b>	Shell contact



## Complementary products:

### Counterpart:



**GMRM-GBE-8PSC-AMG**  
GigaBit module 8 pole, pin, EMI, 50V, 5A

#### Contacts:

**GMRC-SSC-0.25AU**

Socket contact SC series, 5A, 0.25mm<sup>2</sup>

**GMRC-SSC-0.33AU**

Socket contact SC series, 5A, 0.33mm<sup>2</sup>

**GMRC-SSC-0.52AU**

Socket contact SC series, 5A, 0.52mm<sup>2</sup>

#### Adaptor:

**GMRM-AMG-8S-01**

Adapter to 8-pole Mega / Gigabit modules

#### Accessory:

**GMRA-CC-MG-10-12**

Cable clamp

**GMRA-CC-MG-5-7**

Cable clamp

**GMRA-CC-MG-7-10**

Cable clamp

**GMRA-CC-MG-9-11**

Cable clamp