



# MegaBit module 2 x 4 pole, pin, EMI, 50V, 10A

Number of slots: 1

Item number: GMRM-MBE-8PZC-AMG

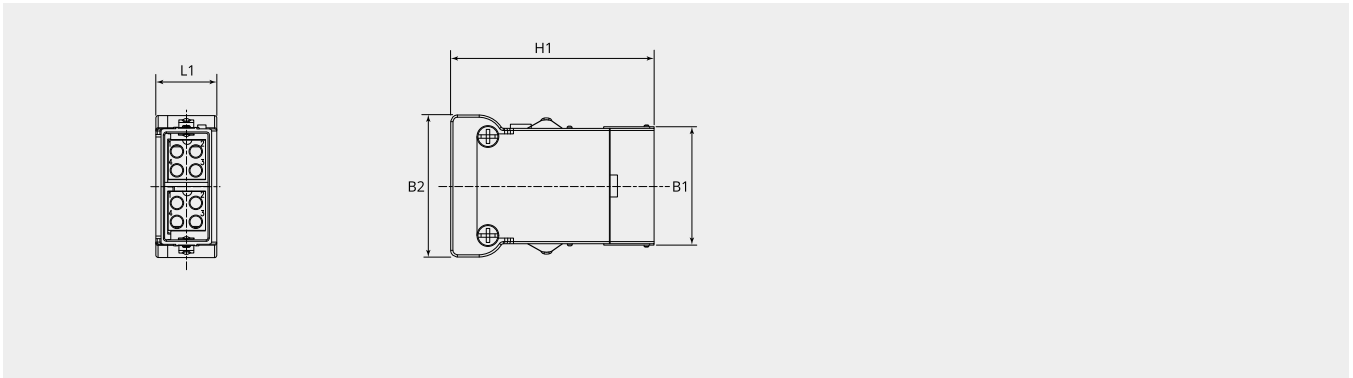
Packing unit: 1

## Technical characteristics

Number of slots:	1
Number of contacts:	8 (2 x 4)
Contact type:	Pin
Shell material:	Zinc cast
Surface treatment:	Passivated
Number of mating cycles (min.):	500
Clamping range (mm):	5 - 12
REACH compliant:	SVHC substances, yes - Lead
ROHS compliant:	Compliant acc. to 2015/863/EU (RoHS II), Annex II

## Thermal properties

Material contact insert:	Polycarbonate (PC)
Operating temperature:	-40°C - +85°C
Fire protection class UL94:	V0
Fire protection class DIN EN 45545-2:	R22/HL1,HL2 R23,24/HL1,HL2,HL3



## Dimensional drawing

<b>B1 (mm):</b>	27.1
<b>B2 (mm):</b>	32.4
<b>H1 (mm):</b>	46.4
<b>L1 (mm):</b>	13.9

## Electrical properties

<b>Rated current (A):</b>	10
<b>Operating voltage (V):</b>	50
<b>Rated impulse voltage (kV):</b>	0.8
<b>Insulation resistance (<math>\Omega</math>):</b>	$\leq 0.004$
<b>Pollution degree:</b>	3
<b>EMI:</b>	Shell contact

