

# Hinge frame size 24

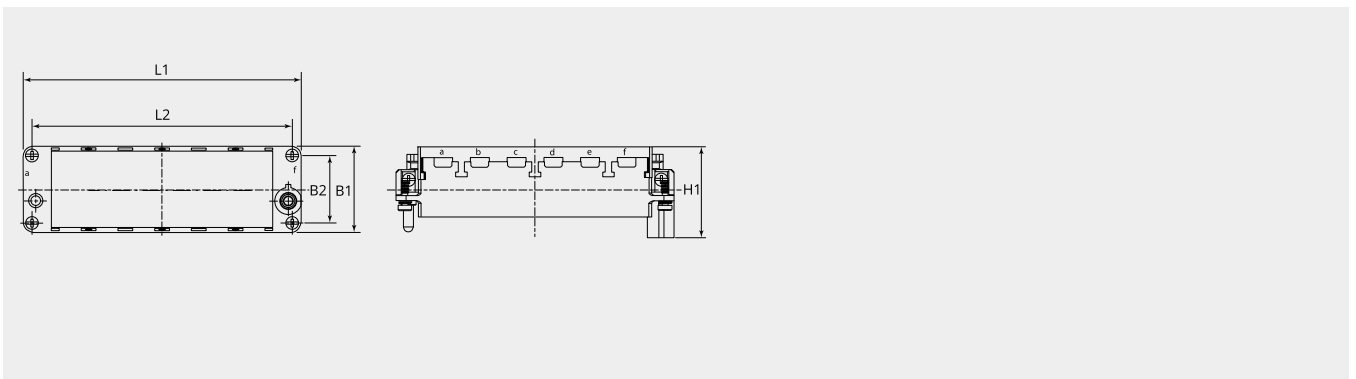
6 module chambers, module identifier a-4

Item number: GMRS-24-3-LAF-06

Packing unit: 1

## Technical characteristics

|                                 |   |
|---------------------------------|---|
| Number of slots:                | 6 modules   |
| Shell material:                 | Zinc cast   |
| Operating temperature:          | -40°C - +125°C                                    |
| Number of mating cycles (min.): | 500   |
| REACH compliant:                | SVHC substances, yes - Lead                       |
| ROHS compliant:                 | Compliant acc. to 2015/863/EU (RoHS II), Annex II |



## Dimensional drawing

|          |       |
|----------|-------|
| B1 (mm): | 34.4  |
| B2 (mm): | 27.0  |
| H1 (mm): | 36.5  |
| L1 (mm): | 111.0 |
| L2 (mm): | 104.0 |