



# Insulator module, 1 pole, pin, 2000/4000V, 650A

Item number: GMRI-4000-650-1PHC

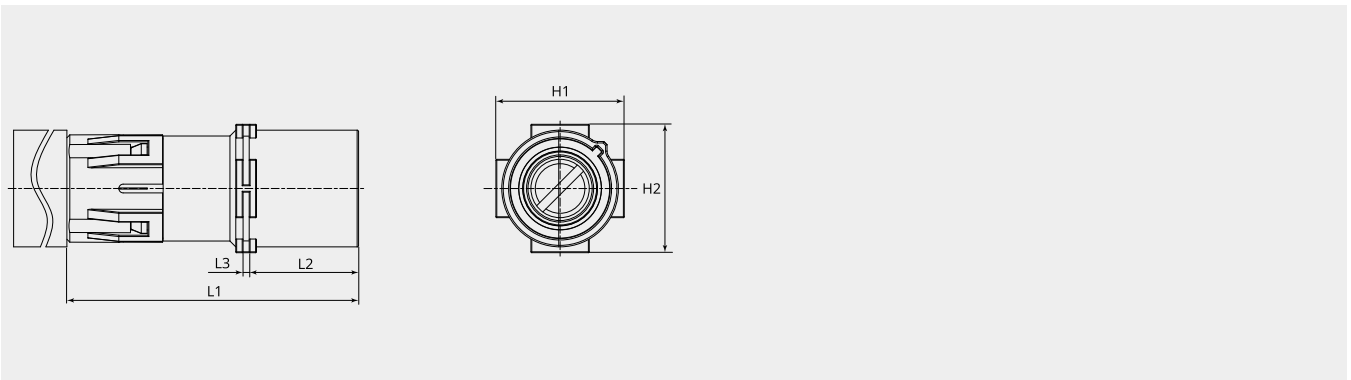
Packing unit: 1

## Technical characteristics

Number of contacts:	1
Contact type:	Pin
Shell material:	Polyamide
Max. cable insulation Ø (mm):	32
Number of mating cycles (min.):	500
REACH compliant:	SVHC substances, no
ROHS compliant:	Compliant

## Thermal properties

Operating temperature:	-40°C - +125°C
Fire protection class UL94:	V0
Fire protection class DIN EN 45545-2:	R22:HL1/HL2 - R23: HL1/HL2/HL3



## Dimensional drawing

<b>H1 (mm):</b>	44.0
<b>H2 (mm):</b>	44.0
<b>L1 (mm):</b>	99.9
<b>L2 (mm):</b>	37.5
<b>L3 (mm):</b>	2.1

## Electrical properties

<b>Rated current (A):</b>	650
<b>Operating voltage (V):</b>	2000/4000
<b>Rated impulse voltage (kV):</b>	12/18
<b>Insulation resistance (<math>\Omega</math>):</b>	$\geq 10^{10}$
<b>Over-voltage category:</b>	3
<b>Pollution degree:</b>	3



## Complementary products:

### Counterpart:



#### **GMRI-4000-650-1SHC**

Insulator module, 1 pole, socket, 2000/4000V, 650A

### Contacts:



#### **GMRC-PHC650-120AG**

Pin contact HC series, 650A, 120m<sup>2</sup>



#### **GMRC-PHC650-150AG**

Pin contact HC series, 650A, 150m<sup>2</sup>



#### **GMRC-PHC650-185AG**

Pin contact HC series, 650A, 185m<sup>2</sup>



#### **GMRC-PHC650-240AG**

Pin contact HC series, 650A, 240m<sup>2</sup>



#### **GMRC-PHC650-95AG**

Pin contact HC series, 650A, 95m<sup>2</sup>