



Insulator module, 1 pole, socket, 2000/4000V, 650A

Item number: GMRI-4000-650-1SHC

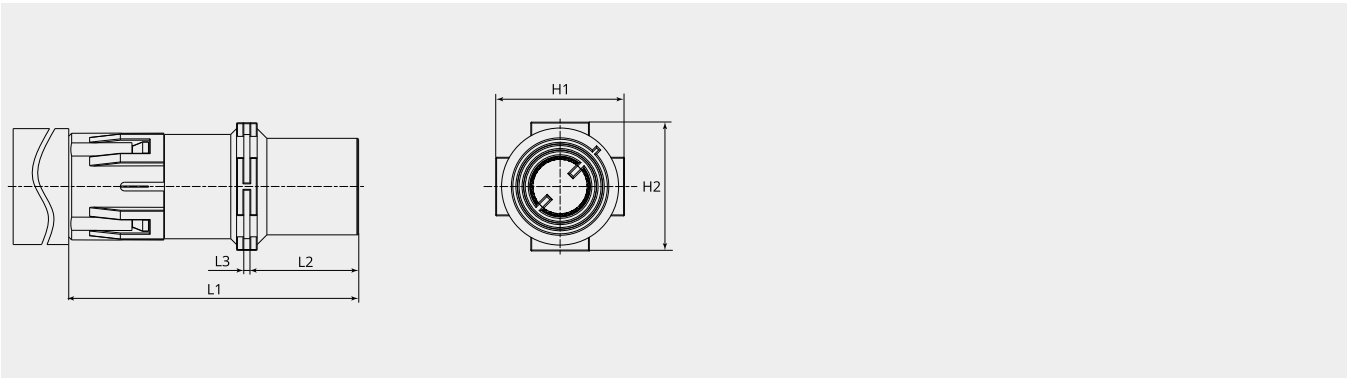
Packing unit: 1

Technical characteristics

Number of contacts:	1
Contact type:	Socket
Shell material:	Polyamide
Max. cable insulation Ø (mm):	32
Number of mating cycles (min.):	500
REACH compliant:	SVHC substances, no
ROHS compliant:	Compliant

Thermal properties

Operating temperature:	-40°C - +125°C
Fire protection class UL94:	V0
Fire protection class DIN EN 45545-2:	R22:HL1/HL2 - R23: HL1/HL2/HL3



Dimensional drawing

H1 (mm):	44.0
H2 (mm):	44.0
L1 (mm):	99.9
L2 (mm):	37.5
L3 (mm):	2.1

Electrical properties

Rated current (A):	650
Operating voltage (V):	2000/4000
Rated impulse voltage (kV):	12/18
Insulation resistance (Ω):	$\geq 10^{10}$
Over-voltage category:	3
Pollution degree:	3

