



Receptacle with flange power 1pole

Series GP

Item number: GP321-36-P1PN-TAC

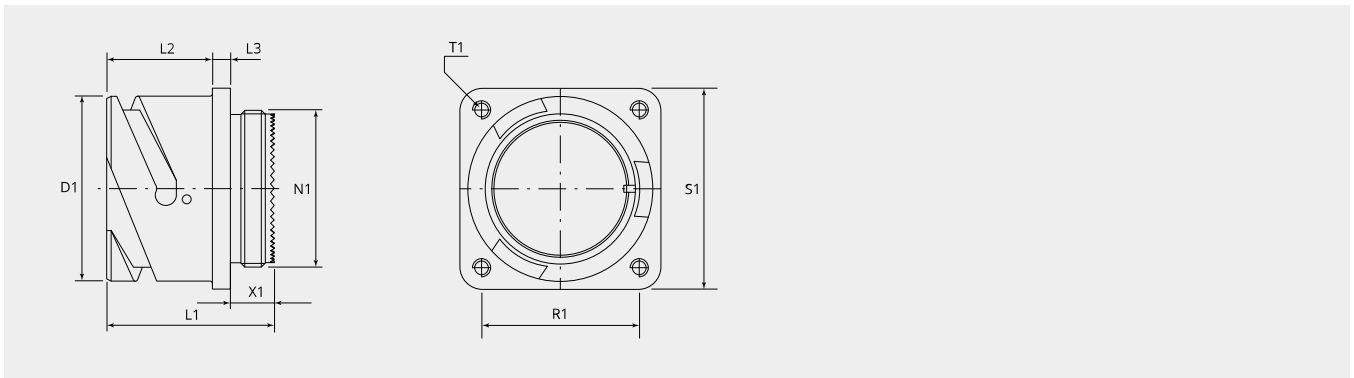
Packing unit: 1

Mechanical properties

| | |
|---------------------------------|--------------------|
| Size: | 36 |
| Contact type: | Pin |
| Coding options: | 4 |
| Shell material: | Aluminum alloy |
| Surface treatment: | Epoxy-polyurethane |
| Type of surface: | passivated |
| Thickness of surface treatment: | 13-16 μ |
| Surface colour: | black |
| Corrosion resistance (h): | 500 |
| Operation temperature: | -55°C - +90°C |
| Temperature shock: | -55°C - +125°C |
| Conductivity (M Ω): | ≤ 0.5 |
| EMI: | No |
| Coupling-torque to lock (Nm): | max. 10.0 |
| Coupling-torque to open (Nm): | min. 5.9 |

Thermal properties

| | |
|---------------------------------------|----------------|
| Material contact insert: | Thermoplastic |
| Operating temperature: | -55°C - +150°C |
| Fire protection class DIN EN 45545-2: | R23/HL3 |



Dimensional drawing

| | |
|-----------------|------------------|
| D1 (Ø): | 65.5 |
| L1 (mm): | 39.5 |
| L2 (mm): | 24.1 |
| L3 (mm): | 4.0 |
| N1: | 2 5/16"-16 UN 2A |
| T1 (mm): | 4.3 / M5 |
| X1 (mm): | 11.3 |
| S1 (mm): | 69.8 |
| R1 (mm): | 55.6 |

Electrical properties

| | |
|-------------------------------------|-----------|
| Operating voltage DC (V): | 2000/4000 |
| Test voltage DC (V): | 12/18 |
| Insulation resistance (Ω m): | ≥ 5000 |

Please contact your Gimota partner for other shell materials, surface coatings or contact insert materials.