



# Receptacle with flange power 1pole

## Series GP

Item number: GP321-36-P1PN-TAC

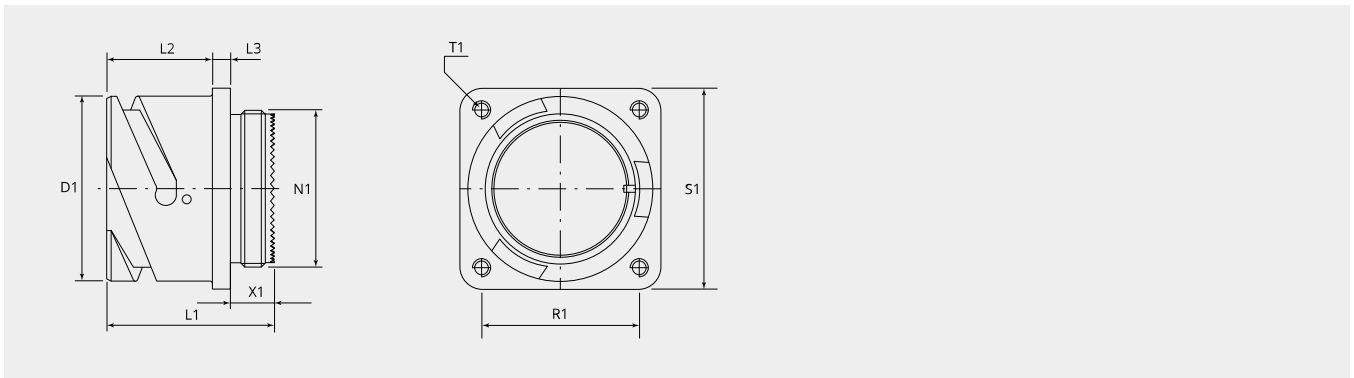
Packing unit: 1

### Mechanical properties

Size:	36
Contact type:	Pin
Coding options:	4
Shell material:	Aluminum alloy
Surface treatment:	Epoxy-polyurethane
Type of surface:	passivated
Thickness of surface treatment:	13-16 $\mu$
Surface colour:	black
Corrosion resistance (h):	500
Operation temperature:	-55°C - +90°C
Temperature shock:	-55°C - +125°C
Conductivity (M $\Omega$ ):	$\leq$ 0,5
EMI:	No
Coupling-torque to lock (Nm):	max. 10,0
Coupling-torque to open (Nm):	min. 5,9

### Thermal properties

Material contact insert:	Thermoplastic
Operating temperature:	-55°C - +150°C
Fire protection class DIN EN 45545-2:	R23/HL3



## Dimensional drawing

<b>D1 (Ø):</b>	65.5
<b>L1 (mm):</b>	39.5
<b>L2 (mm):</b>	24.1
<b>L3 (mm):</b>	4.0
<b>N1:</b>	2 5/16"-16 UN 2A
<b>T1 (mm):</b>	4.3 / M5
<b>X1 (mm):</b>	11.3
<b>S1 (mm):</b>	69.8
<b>R1 (mm):</b>	55.6

## Electrical properties

<b>Operating voltage DC (V):</b>	2000/4000
<b>Test voltage DC (V):</b>	12/18
<b>Insulation resistance (Ω m):</b>	≥ 5000

Please contact your Gimota partner for other shell materials, surface coatings or contact insert materials.

## Complementary products:

### Counterpart:



#### **GP60-36-P1SN-TAC**

Circular connectors for power contacts (Series GP)



#### **GP602-36-P1SN-TAC**

Circular connectors for power contacts (Series GP)

---

### Contacts:



#### **GMRC-PHC650-120AG**

Pin contact HC series, 650A, 120m<sup>2</sup>



#### **GMRC-PHC650-150AG**

Pin contact HC series, 650A, 150m<sup>2</sup>



#### **GMRC-PHC650-185AG**

Pin contact HC series, 650A, 185m<sup>2</sup>



#### **GMRC-PHC650-240AG**

Pin contact HC series, 650A, 240m<sup>2</sup>



#### **GMRC-PHC650-95AG**

Pin contact HC series, 650A, 95m<sup>2</sup>