



Receptacle with flange power 1pole

Series GP

Item number: GP321-40-P1PN-TAC

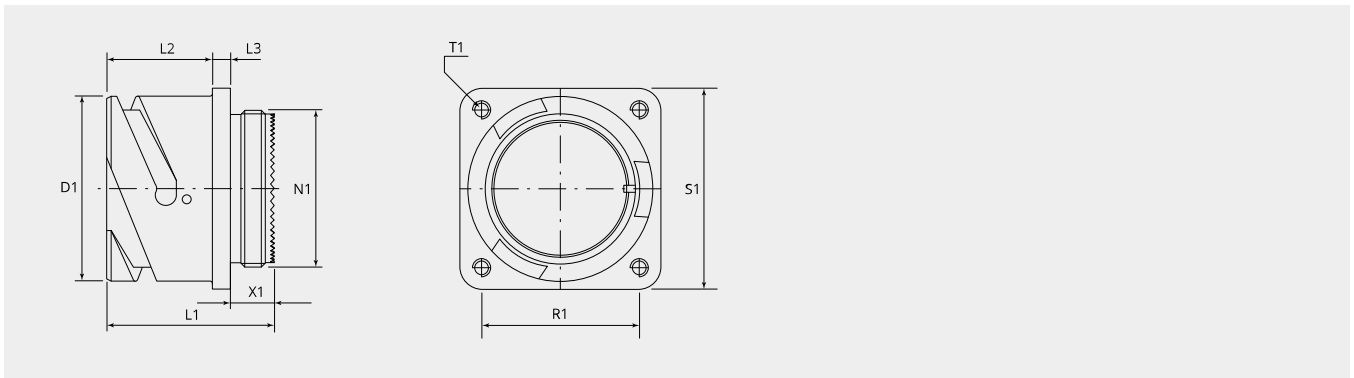
Packing unit: 1

Mechanical properties

Size:	40
Contact type:	Pin
Coding options:	4
Shell material:	Aluminum alloy
Surface treatment:	Epoxy-polyurethane
Type of surface:	passivated
Thickness of surface treatment:	13-16 μ
Surface colour:	black
Corrosion resistance (h):	500
Operation temperature:	-55°C - +90°C
Temperature shock:	-55°C - +125°C
Conductivity (M Ω):	\leq 0,5
EMI:	No
Coupling-torque to lock (Nm):	max. 10,0
Coupling-torque to open (Nm):	min. 5,9

Thermal properties

Material contact insert:	Thermoplastic
Operating temperature:	-55°C - +150°C
Fire protection class DIN EN 45545-2:	R23/HL3



Dimensional drawing

D1 (Ø):	65.5
L1 (mm):	39.5
L2 (mm):	24.1
L3 (mm):	4.0
N1:	2 5/16"-16 UN 2A
T1 (mm):	4.3 / M5
X1 (mm):	11.3
S1 (mm):	69.8
R1 (mm):	55.6

Electrical properties

Operating voltage DC (V):	2000/4000
Test voltage DC (V):	12/18
Insulation resistance (Ω m):	≥ 5000

Please contact your Gimota partner for other shell materials, surface coatings or contact insert materials.

Complementary products:

Counterpart:

**GP60-40-P1SN-TAC**

Circular connectors for power contacts (Series GP)

**GP602-40-P1SN-TAC**

Circular connectors for power contacts (Series GP)

Contacts:

**GMRC-PHC650-120AG**

Pin contact HC series, 650A, 120m²

**GMRC-PHC650-150AG**

Pin contact HC series, 650A, 150m²

**GMRC-PHC650-185AG**

Pin contact HC series, 650A, 185m²

**GMRC-PHC650-240AG**

Pin contact HC series, 650A, 240m²

**GMRC-PHC650-95AG**

Pin contact HC series, 650A, 95m²