



# Circular connectors for power contacts (Series GP)

Indoor, up to 4000VDC/650A, contact size HC650

Item number: GP60-40-P1SN-TAC

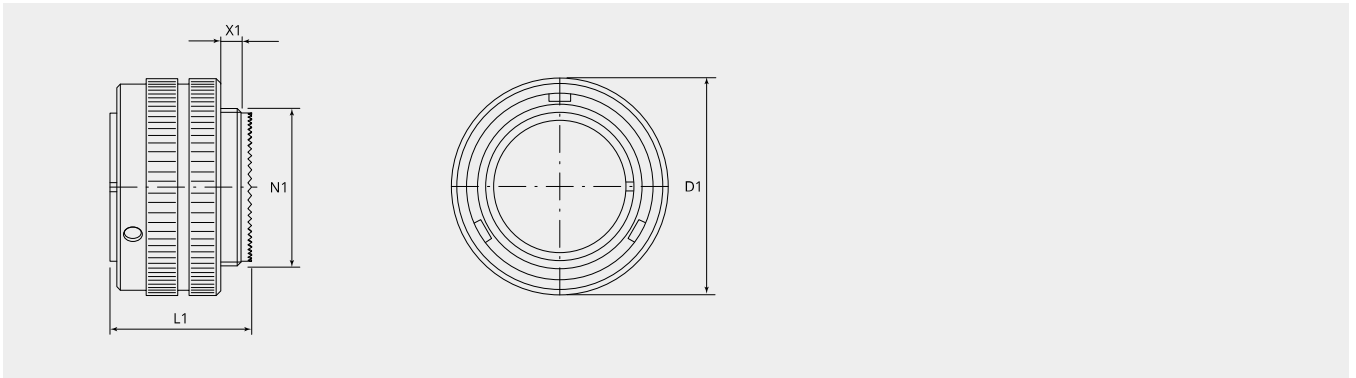
Packing unit: 1

## Mechanical properties

|                                 |                    |
|---------------------------------|--------------------|
| Size:                           | 40                 |
| Contact type:                   | Socket             |
| Coding options:                 | 4                  |
| Shell material:                 | Aluminum alloy     |
| Surface treatment:              | Epoxy-polyurethane |
| Type of surface:                | varnished          |
| Thickness of surface treatment: | 13-16 $\mu$        |
| Surface colour:                 | black              |
| Corrosion resistance (h):       | 500                |
| Operation temperature:          | -55°C - +125°C     |
| Temperature shock:              | -55°C - +125°C     |
| Conductivity (M $\Omega$ ):     | non conductive     |
| EMI:                            | No                 |
| Material sealing ring:          | Silicone           |
| Coupling-torque to lock (Nm):   | max. 10.0          |
| Coupling-torque to open (Nm):   | min. 5.9           |

## Thermal properties

|                                       |                |
|---------------------------------------|----------------|
| Material contact insert:              | Thermoplastic  |
| Operating temperature:                | -55°C - +150°C |
| Fire protection class DIN EN 45545-2: | R23/HL3        |
| Fire protection class:                | S4/SR2/ST2 / - |
| Fire protection class NFF16-101/102:  | I3/F0 - I3-F3  |
| Fire protection class UL94:           | V0 / -         |



## Dimensional drawing

|                 |                  |
|-----------------|------------------|
| <b>D1 (Ø):</b>  | 73.0             |
| <b>L1 (mm):</b> | 50.0             |
| <b>L2 (mm):</b> | 38.5             |
| <b>N1:</b>      | 2 5/16"-16 UN 2A |
| <b>X1 (mm):</b> | 11.3             |

## Electrical properties

|                                     |           |
|-------------------------------------|-----------|
| <b>Operating voltage DC (V):</b>    | 2000/4000 |
| <b>Insulation resistance (Ω m):</b> | ≥ 5000    |