



# Circular connectors for power contacts (Series GP)

Outdoor, up to 4000VDC/650A, contact size HC650

Item number: GP602-40-P1SN-TAC

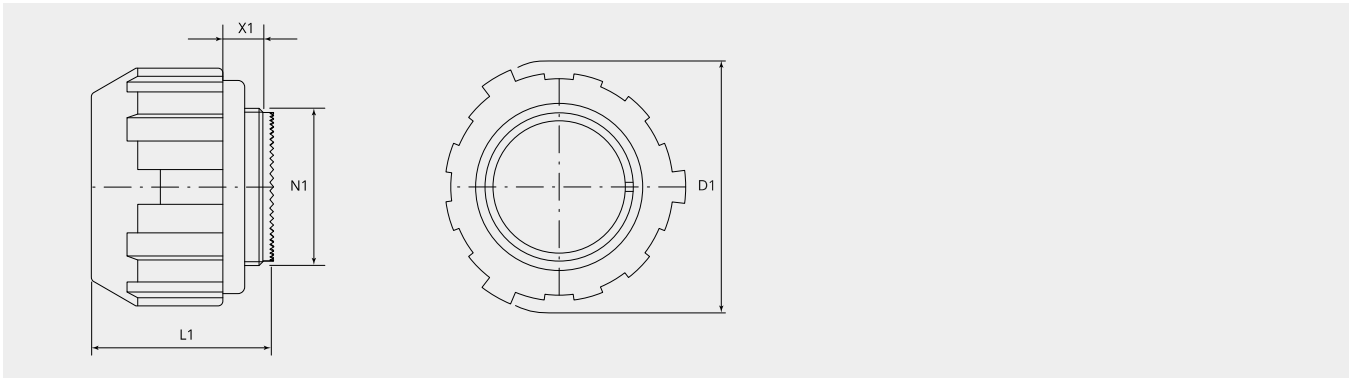
Packing unit: 1

## Mechanical properties

Size:	40
Contact type:	Socket
Coding options:	4
Shell material:	Aluminum alloy
Surface treatment:	Epoxy-polyurethane
Type of surface:	varnished
Thickness of surface treatment:	13-16 $\mu$
Surface colour:	black
Corrosion resistance (h):	500
Operation temperature:	-55°C - +125°C
Temperature shock:	-55°C - +125°C
Conductivity (M $\Omega$ ):	non conductive
EMI:	No
Material sealing ring:	Silicone
Coupling-torque to lock (Nm):	max. 10.0
Coupling-torque to open (Nm):	min. 5.9

## Thermal properties

Material contact insert:	Thermoplastic
Operating temperature:	-55°C - +150°C
Fire protection class DIN EN 45545-2:	R23/HL3
Fire protection class:	S4/SR2/ST2 / -
Fire protection class NFF16-101/102:	I3/F0 - I3-F3
Fire protection class UL94:	V0 / -



## Dimensional drawing

<b>D1 (Ø):</b>	88.0
<b>L1 (mm):</b>	41.0
<b>L2 (mm):</b>	38.5
<b>N1:</b>	2 5/16"-16 UN 2A
<b>X1 (mm):</b>	11.3

## Electrical properties

<b>Operating voltage DC (V):</b>	2000/4000
<b>Insulation resistance (Ω m):</b>	≥ 5000